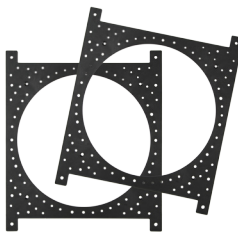
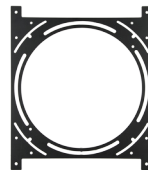
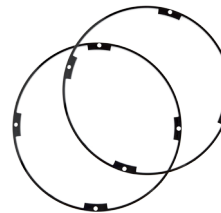
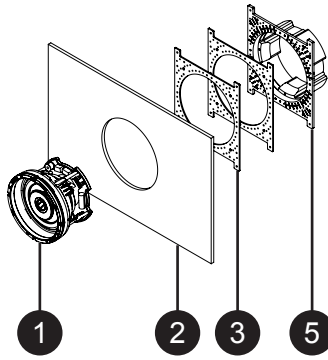
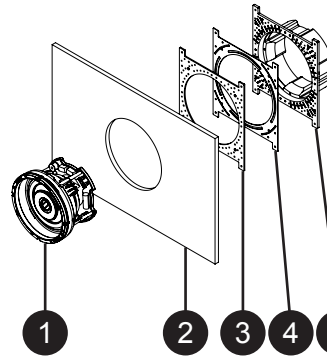
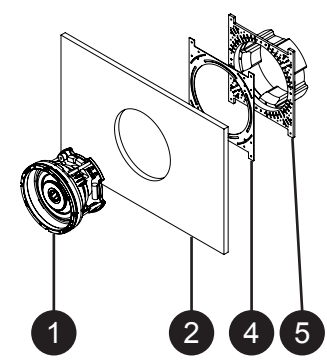
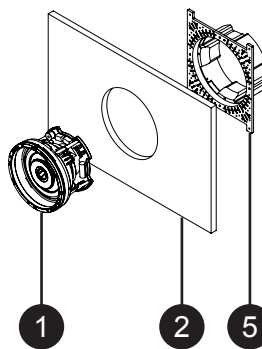
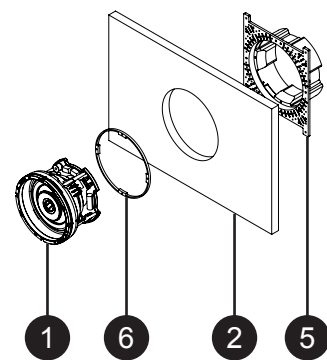
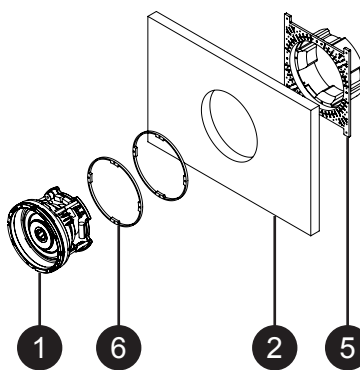


# Selecting Shims for Medium Opening System

To allow the Speaker Grille to fit completely flush with the surrounding Finish Material, the Sonance Architectural Series Mounting Platform kit for solid surfaces, is supplied with a quantity of two (2) Mounting Ring Shim (1/8"), a quantity of one (1) Mounting Ring Shim (1/16"), and a quantity of two (2) Speaker Shim (see photos below). NOTE: The Mounting Ring Shim (1/8" and 1/16") and Speaker Shim are tied to the Mounting Ring for shipping. In order to determine which shims, if any, should be used for the installation, determine the thickness of the Finish Material and locate the corresponding Shim configuration in the table below.

<p>Medium Opening Mounting Ring Shim (1/8")</p> 	<p>Medium Opening Mounting Ring Shim (1/16")</p> 	<p>Medium Opening Speaker Shim</p>  <p>NOTE: May be needed at a later date. Do not discard.</p>	<p><b>1.1 Legend</b></p> <ul style="list-style-type: none"> <li>1 - Speaker AS68RS or BPC6</li> <li>2 - Finish Material</li> <li>3 - Mounting Ring Shim (1/8")</li> <li>4 - Mounting Ring Shim (1/16")</li> <li>5 - Mounting Ring</li> <li>6 - Speaker Shim</li> </ul>
---	--	--	--

## 1.1 Solid Surface Shim Selection Chart - Medium Speaker

<p><b>3/8" Finish Material (10mm)</b></p>  <p>Qty. 2 - Mounting Ring Shim (1/8")</p>	<p><b>1/2" Finish Material (13mm)</b></p>  <p>Qty. 1 - Mounting Ring Shim (1/8") Qty. 1 - Mounting Ring Shim (1/16")</p>	<p><b>5/8" Finish Material (16mm)</b></p>  <p>Qty. 1 - Mounting Ring Shim (1/16")</p>
<p><b>3/4" Finish Material (19mm)</b></p>  <p>No Shim Needed</p>	<p><b>1" Finish Material (25mm)</b></p>  <p>Qty. 1 - Speaker Shim</p>	<p><b>1-1/4" Finish Material (32mm)</b></p>  <p>Qty. 2 - Speaker Shim</p>