

SONANCE ARCHITECTURAL SERIES®

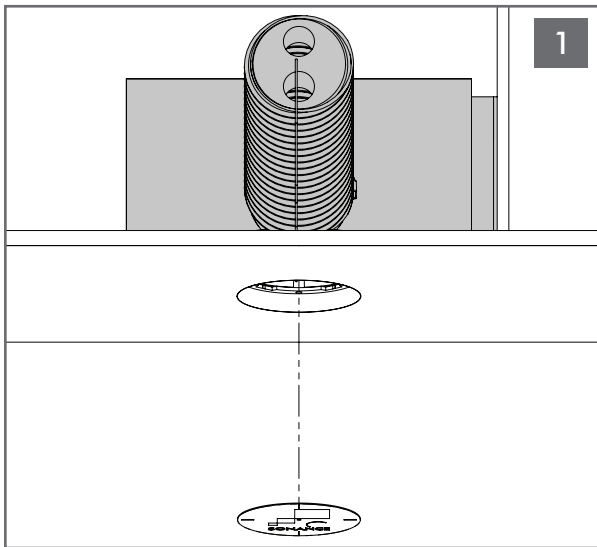
AS BANDPASS CONNECTOR QUICKSTART GUIDE

ASBPC3RS AND ASBPC6RS (ROUND AND SQUARE)

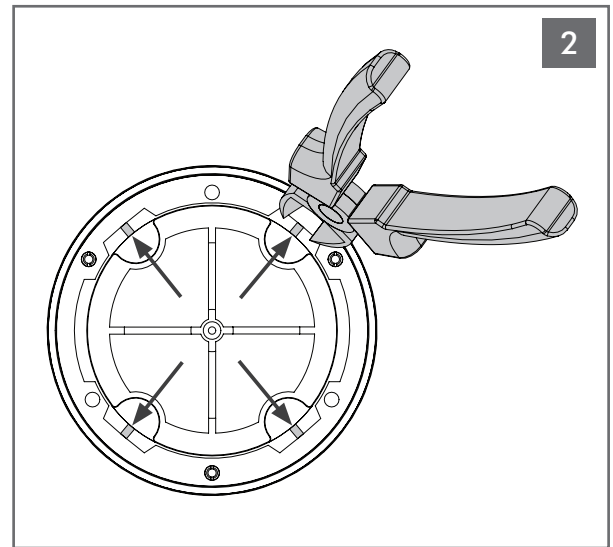


Box Contents

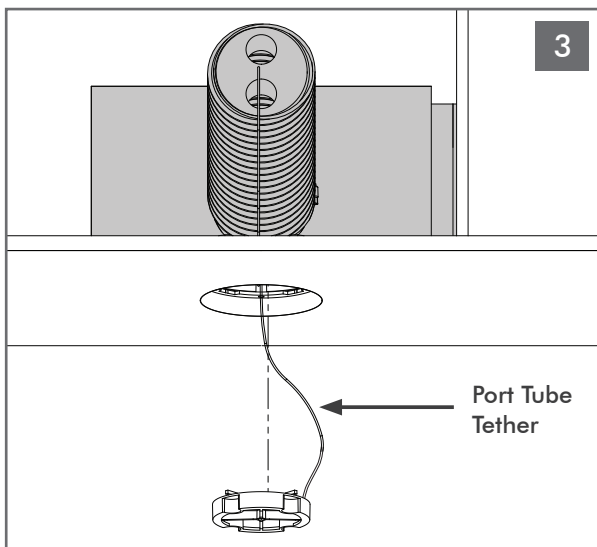
- (1) Quickstart guide
- (1) Bandpass connector
- (1) Round grille
- (1) Square grille
- (1) Hose clamp for port tube
- (1) Grille painting instructions
- (1) Set of speaker screws w/ Loctite®



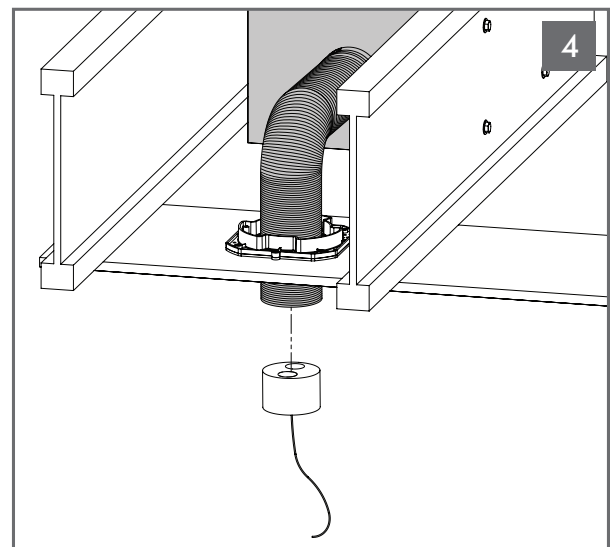
Remove the paint shield from the finished mounting platform.



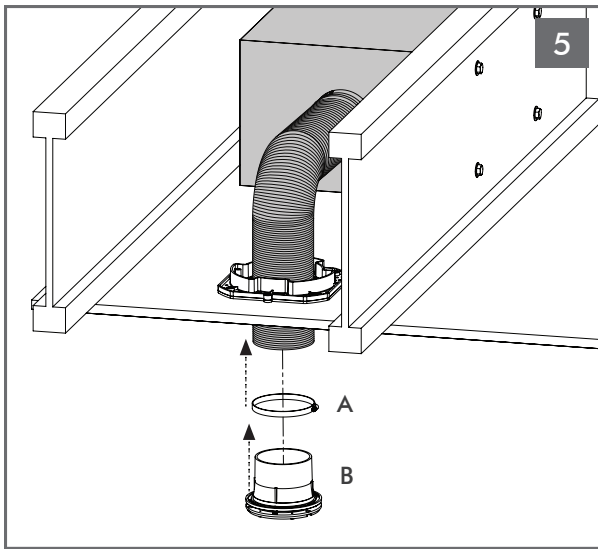
Cut the four tabs on the sanding shield support structure on the bracket. **NOTE: The port tube tether is connected to the zip tie for easy access.**



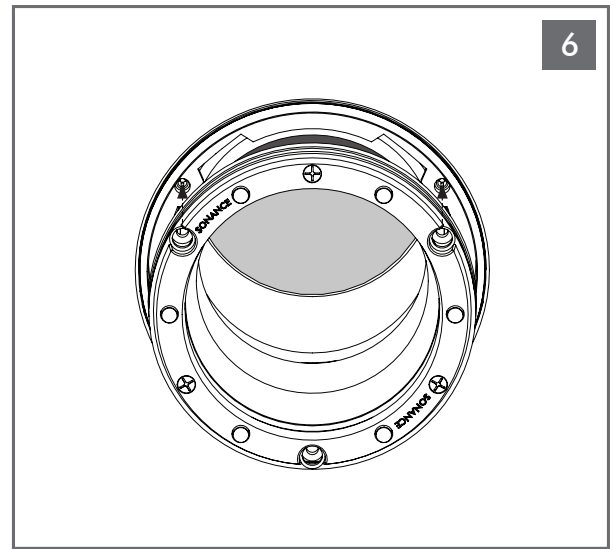
Remove sanding shield support structure. Use the tether to guide the port tube through the back of the mounting platform. Do not remove foam insert from port tube yet.



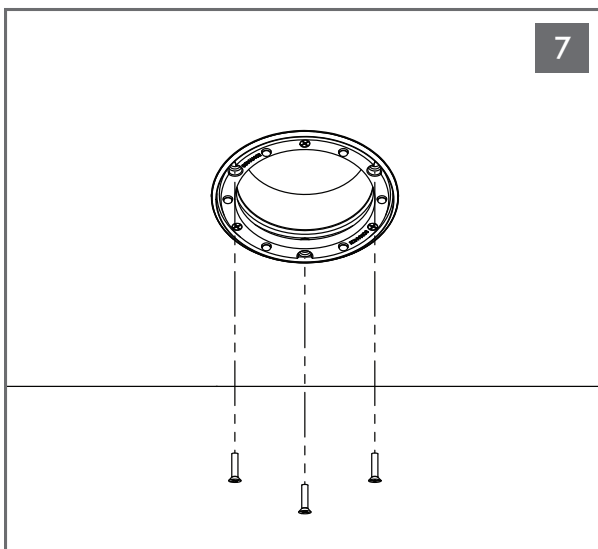
Expose 6" (152mm) of port tube through speaker opening. Remove foam insert from port tube.



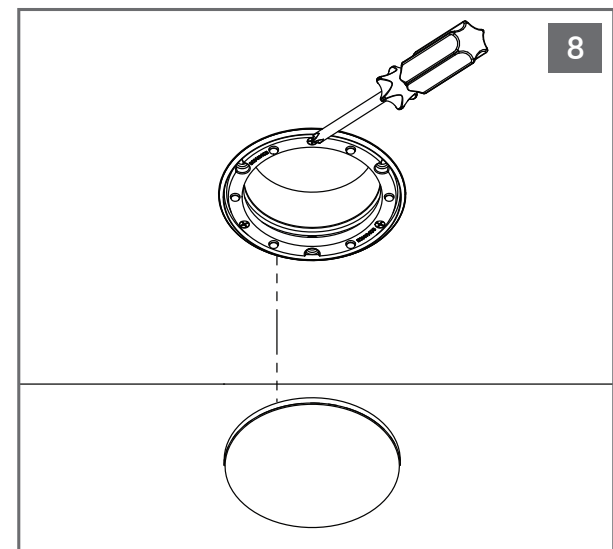
Place the hose clamp (A) around the ASBPS port tube. Slide the port tube over the bandpass connector (B). Orient the port tube on the bandpass connector so the mounting screw locations in the bracket and bandpass connector line up.



Tighten the hose clamp around the bandpass connector and port tube. The slots in the mounting platform allow clearance for the hose clamp. Orient the hose clamp to go through one of the openings. Place the port tube and connector into the mounting platform.



Apply Loctite® to screws and screw bandpass connector to mounting platform.



The leveling ring is for fine adjustment. If necessary adjust the magnetic grille leveling ring with a screwdriver and install magnetic grille. **NOTE: See grille painting instructions.**



For wiring diagrams and detailed eManual scan the QR code or visit www.sonance.com/in-wall-in-ceiling/architectural-series



©2014 Sonance. All rights reserved.
 Sonance and Architectural Series are registered trademarks of Dana Innovations.
 Due to continuous product improvement, all features and specifications are subject to change without notice.
 For the latest Sonance product specification information, visit our website: www.sonance.com
 SONANCE • 212 Avenida Fabricante • San Clemente, CA 92672-7531 USA
 (800) 582-7777 or (949) 492-7777 • FAX: (949) 361-5151 • Technical Support: (800) 582-0772
www.sonance.com