

SONANCE ARCHITECTURAL SERIES[®]

AS BANDPASS STEREO SUBWOOFER QUICKSTART GUIDE

BPS6



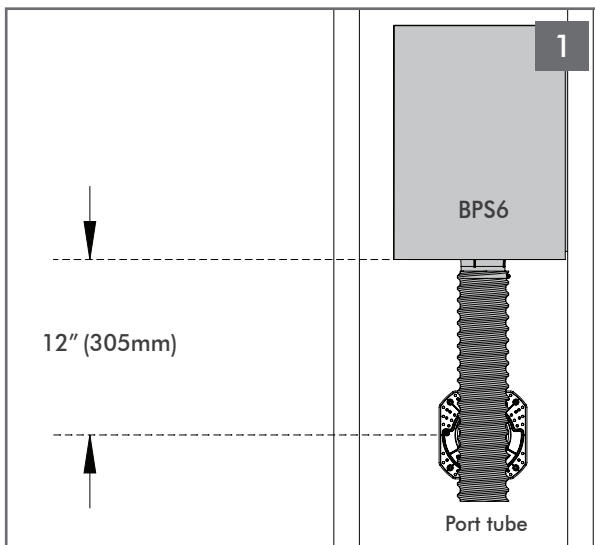
Box Contents

- (1) Quickstart guide
- (1) Bandpass subwoofer w/ port tube
- (1) Cardboard mounting template

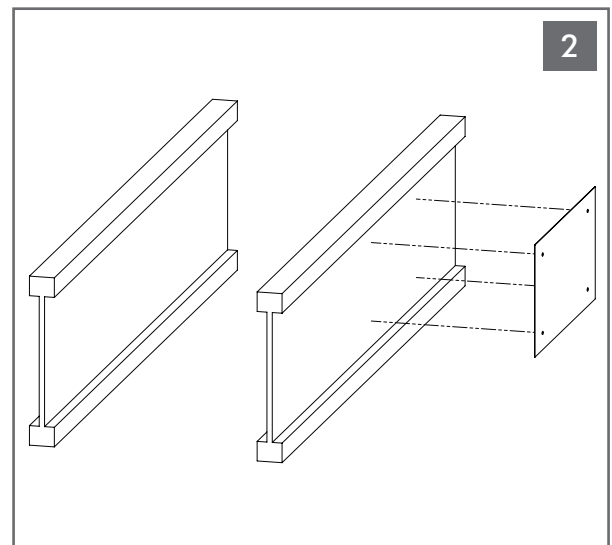
Mounting screws & washers:

- (4) 5/16" x 2" lag screws (for thinner beams)
- (4) 5/16" x 3" lag screws (for thicker beams)
- (4) 5/16" washers

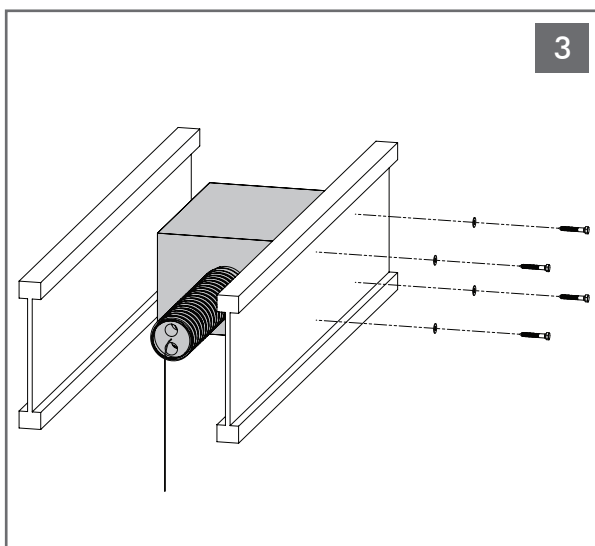
Bandpass subwoofer can be installed in joists spaced 16" on center or greater.



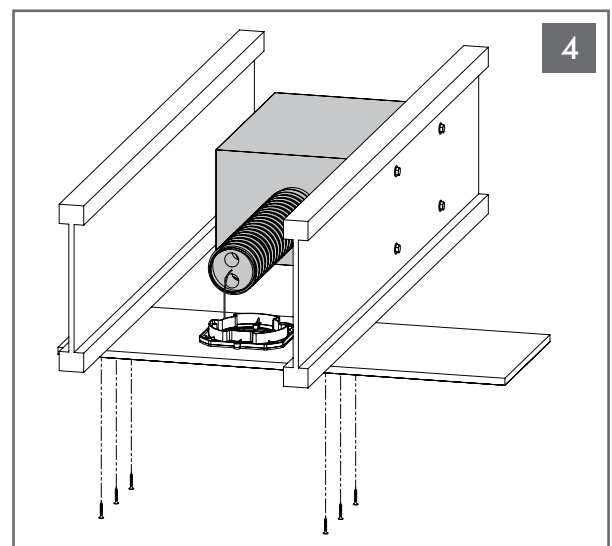
Determine the location for the mounting platform. Ensure there is adequate room for the BPS6 subwoofer at the location of the platform. **The speaker opening must be located within 12" (305mm) of the BPS6 to allow the port tube to reach through the platform.**



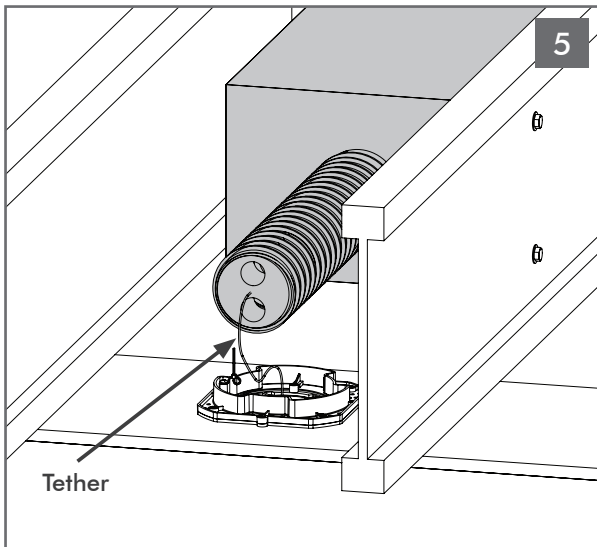
Place the mounting template on the side of the joist and drill four 1/2" (12.7mm) holes through the joist at the locations shown on the mounting template.



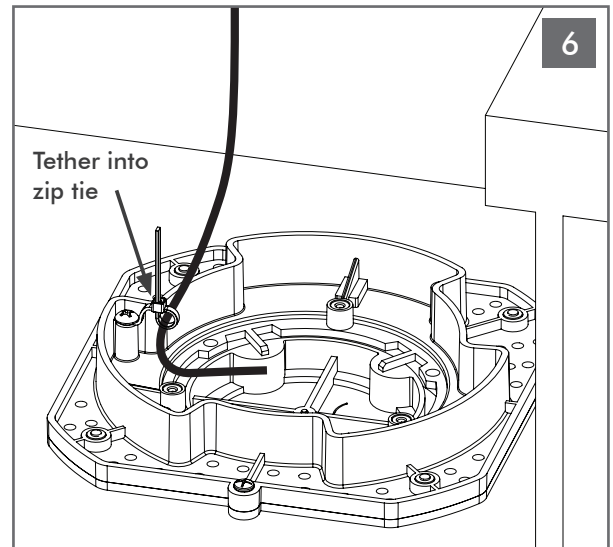
Hold the side of the BPS6 with the rubber damping pad up against the side of the joist and install the four lag screws and washers to secure the BPS6 in place.



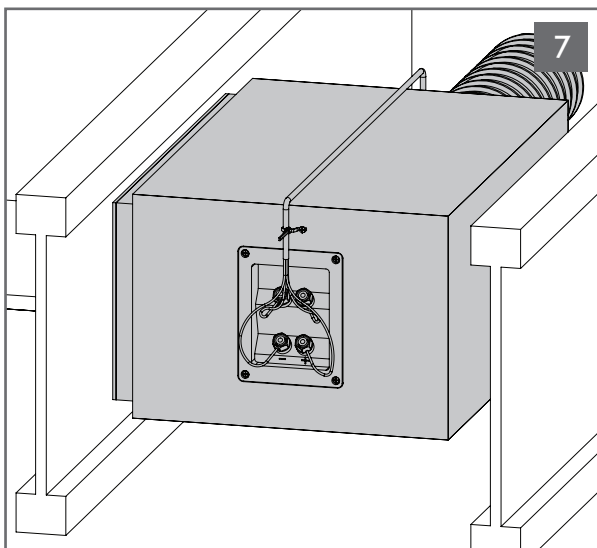
Attach the mounting platform to the joists. See mounting platform quickstart guide or visit www.sonance.com/in-wall-in-ceiling/architectural-series for detailed installation manual.



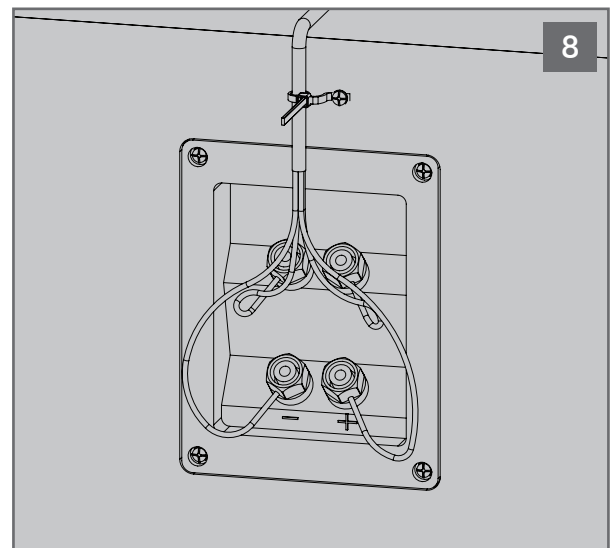
On the end of the BPS6 port tube there is a tether. The tether will be used later to guide the BPS6 port tube through the mounting platform opening.



Position end of port tube as close as possible to back of mounting platform. Loop tether into the anchored zip tie and secure. This process ensures that bandpass connector is easily attached later and other tradespersons won't infringe on port tube assembly area.



Secure the wires with a zip tie near the terminals to prevent accidental removal by another tradesperson.



Attach the **four conductor wires** from the amplifier to the input terminals on the end of the BPS6. Positive wires to red terminals and negative wires to black terminals. Run the speakers wires to amplifier location and run signal test with 9V battery. **NOTE: Port tube contains foam plug with tether, make sure pressure levels don't expel the foam and tether. Do not connect the voice coils in parallel.**



For wiring diagrams & detailed eManual scan the QR code or visit www.sonance.com/in-wall-in-ceiling/architectural-series



©2014 Sonance. All rights reserved.
Sonance and Architectural Series are registered trademarks of Dana Innovations.

Due to continuous product improvement, all features and specifications are subject to change without notice. For the latest Sonance product specification information, visit our website: www.sonance.com

SONANCE • 212 Avenida Fabricante • San Clemente, CA 92672-7531 USA
(800) 582-7777 or (949) 492-7777 • FAX: (949) 361-5151 • Technical Support: (800) 582-0772
www.sonance.com