

INSTALLATION INSTRUCTIONS

CT8 Loudspeaker with Accessories

APPLICATIONS:

Installation into sheetrock ceilings**, Installation into drop ceilings**
 Installation into Concealed Spline Ceilings**, Installation into walls**
 **with or without backbox - new or existing construction

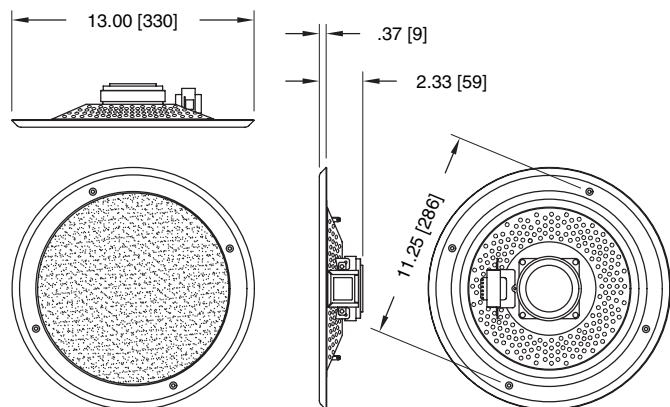
REQUIRED ACCESSORIES: See Text

TECHNICAL SPECIFICATIONS

CT8: 8 ohm and 16W multi-tap 70.7V or 100V transformer, with standard screw-mounting hardware

DIMENSIONS

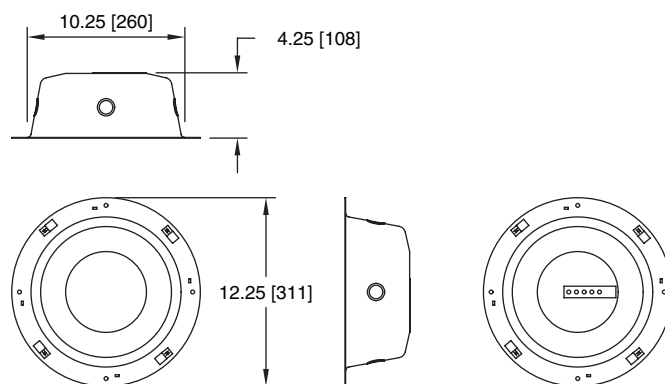
Unless otherwise specified all dimensions are in inches [mm]



PRODUCT WEIGHT: 4.1 lb (1.88kg)

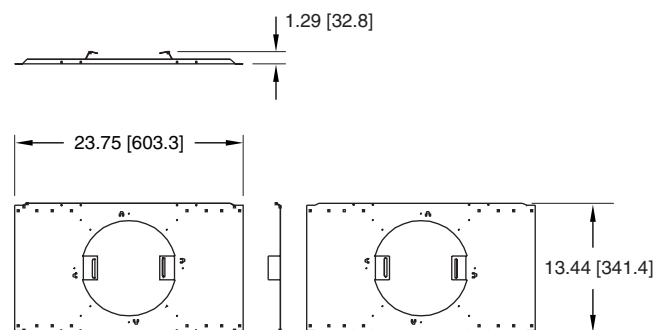
ACCESSORY DATA

PBB8-10 Industry Standard Stackable Enclosure (Backcan). Weight 1.9 lb. (0.86 kg.)



The CT8 loudspeaker can be installed using most industry standard 8" loudspeaker mounting accessories and will retrofit into almost all existing standard 8" diameter loudspeaker openings.

UMB8-10 Universal Mounting Bracket (Tile Bridge), for use with or without backcan. Weight 2.8 lb. (1.22kg)



MOUNTING LOCATIONS

SOUND ADVANCE products provide outstanding performance and economic advantages when installed in environments with an ambient noise level at or below 75dBA, where the speakers can be placed between 8 and 18 feet above the floor, and which are large enough to accommodate at least 4 or more conventional loudspeakers. When system design requirements indicate speaker to speaker distances of greater than 40.0 ft., please contact the factory for additional technical information on such applications.

SOUND ADVANCE recommends mounting the CT8 in:

Suspended Ceilings

Wood or Metal Stud Walls and Ceilings

Most Soffits and Fascia

Retrofit into almost all standard 8" Loudspeaker Openings

RECOMMENDED ENVIRONMENTS

Indoor or Weather Protected Outdoor

RECOMMENDED FINISH

The flat Expanded Polystyrene [EPS] loudspeaker surface may be finished with water soluble materials such as latex paints, to match any decor or color requirement, using conventional brush-on, roller or airless spray application systems.

UNPACKING AND INSPECTION

Open the shipping cartons carefully and remove all contents. Inspect the product and accessories for damage. Report damage or shortages to SOUND ADVANCE immediately.

CAUTION: SOUND ADVANCE loudspeakers utilize a flat polystyrene material as the sound-radiating surface. Although it is resistant to mechanical damage and is unaffected by environmental extremes, care should be observed during handling, to avoid punctures or other damage.

CAUTION: DO NOT remove the protective cardboard disk until loudspeaker has been connected and properly secured.

INSTALLATION

The notes below are intended to provide general information and assistance in the installation of a CT8 and its compatible hardware in a variety of situations, and shall not be used as a step-by-step installation guide.

Although the CT8 can be installed using most industry-standard 8" loudspeaker mounting accessories, certain requirements or restrictions of use may apply. Please review the following notes and recommendations to assure all installation prerequisites will be met.

THESE NOTES ARE EXTREMELY IMPORTANT AND SHOULD BE READ PRIOR TO BEGINNING ANY INSTALLATION.

Once reviewed, please proceed to the "Loudspeaker Connection" section.

GENERAL NOTES

- Make sure loudspeaker mounting configuration and installation hardware are compatible and appropriate for the selected application. System Engineers and Installers must always consult with the Local Authorities in order to obtain specific requirements of an installation or product utilization.
- Make sure wiring methods, conduit, clamping, interconnection, sealing and termination procedures comply with NEC and the appropriate Local, Electrical and Building Codes.
- It is strongly recommended that all ceiling installations be done using the UMB8-10 Universal Mounting Bracket. It provides important structural support and is an advisable safety practice, whether required by code or not.
- Hanging straps are normally provided on the PBB8-10 backcan and in most industry standard backcans. These should be used to attach the backcan (or backcan/bridge assembly) to the roof or other structural point, to support and suspend the load. It is good safety practice to use this option even if not required by local codes.
- The loudspeaker carton contains a cutout template that provides cutting diameters for most installation hardware. Please review the notes printed in the packaging carton to determine the proper hole size.

PRODUCT-SPECIFIC NOTES

- The UMB8-10 Universal Mounting Bracket has horse-shoe tabs that allow it and the PBB8-10 backcan to be mechanically interlocked. Please refer to the instructions provided with the UMB8-10.

- In hard-to-access plenums or retrofit installations requiring backcans, CT8 loudspeakers can be installed using a blind-mount enclosure (Atlas Sound BMT95-8 Series or similar). These enclosures have mounting facilities for screw mount speaker models. Please refer to the manufacturer's specifications for more information.

If a situation should arise which cannot be resolved through the information contained in these installation instructions or notes, please contact SOUND ADVANCE Customer Support Services at (800) 592-4644 or (949) 492-5449 Monday-Friday 8 AM to 5 PM Pacific Time. FAX (949) 361-5151

LOUDSPEAKER CONNECTION:

GENERAL NOTES:

- Always allow sufficient slack for attachment to the transformer tap pigtails or other connection points as required.
- Take care not to cut the insulation or otherwise damage the wiring when tightening the cable clamp.
- Avoid dripping solder onto any portion of the loudspeaker.

70.7V/100V INSTALLATION

1. Connect the black pigtail wire from the transformer primary to the ground (common, or '-') lead from the amplifier.

2. Choose the appropriate transformer power wire (see chart to the right) and attach it to the '+' lead from the amplifier.

NOTE: Do not use the white transformer wire in a 100V installation.

3. Secure the connections using a suitable method such as wire nuts, crimps, or solder/shrink tubing as required by local codes.

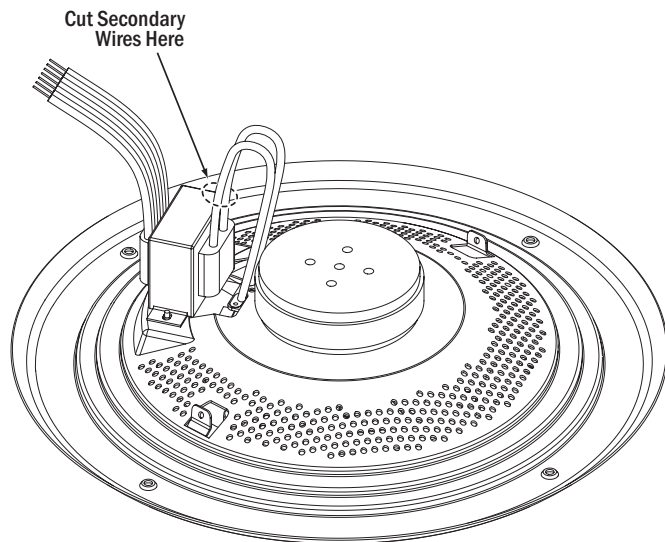
- Fold-over and securely tape any unused transformer power wires making sure that the bare leads do not touch each other or the speaker backcan assembly. Insure that all wiring does not touch the loudspeaker surface.

PRIMARY TAPS		
	70V	100V
BLK	C	C
WHT	16W	∅
RED	8W	16W
YLW	4W	8W
GRN	2W	4W
BLU	1W	2W
BRN	1/2W	1W

DO NOT USE
WHITE TAP ON 100V
SOUND ADVANCE®
33-4272 03.06

8-OHM INSTALLATION

1. Cut the transformer secondary wires as indicated in the diagram below.



2. Strip 1/4" – 1/2" of insulation from the wires that remain connected to the speaker (not the ones connected to the transformer).

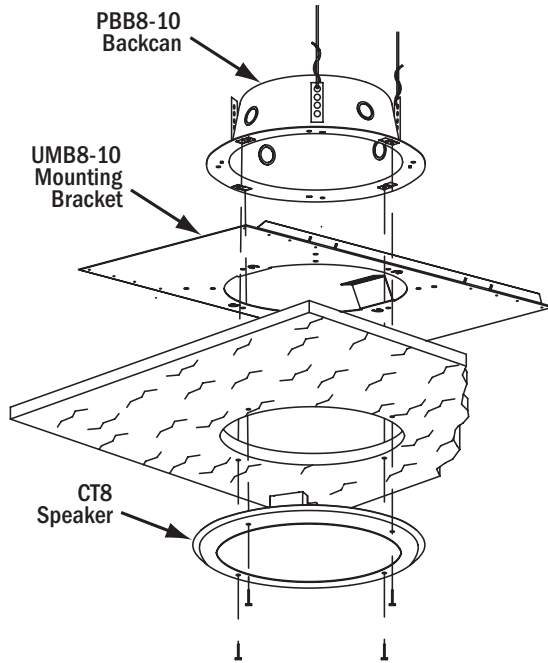
3. Connect the black wire to the common ('-') lead from the amplifier; connect the red wire to the '+' lead from the amplifier.

4. Secure the connections using a suitable method such as wire nuts, crimps, or solder/shrink tubing as required by local codes.

- Fold-over and securely tape all transformer wires making sure that the bare leads do not touch the connections from the amplifier to the speaker.

FINAL INSTALLATION

Secure the loudspeaker to the mounting bracket / backcan assembly with the provided screws (Cap nuts are provided for hardware components that do not have J-Nuts or any other threaded fasteners). Remove the protective cardboard disk.



If a situation should arise which cannot be resolved through the information contained in these installation instructions, please contact SOUND ADVANCE Customer Support Services at (800) 592-4644 or (949) 492-5449 Monday-Friday 8 AM to 5 PM Pacific Time. FAX (949) 361-5151.



SOUND ADVANCE

212 Avenida Fabricante, San Clemente, CA 92672
(800) 592-4644 or (949) 492-5449 FAX (949) 361-5151
WWW.SOUNDADVANCE.COM