

INTRODUCTION

Thank you for purchasing Sound Advance FastMount® weather-resistant speakers. When properly installed, these speakers will give you many years of outdoor entertainment pleasure. To get the most out of your new speakers, please read this manual thoroughly before you begin installation.

The directions in this manual apply to all of the following models: FMS860B, FMS860W, FMS660B, FMS660W, FMS530B, FMS530W

PARTS LIST

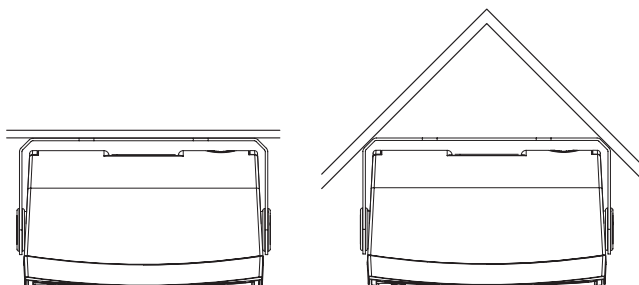
Your Sound Advance FastMount speakers include the following:

- (2) Sound Advance FastMount speakers
- (2) Grilles
- (2) Wiring terminal covers
- (2) Mounting brackets (attached to the speakers)

SPEAKER PLACEMENT

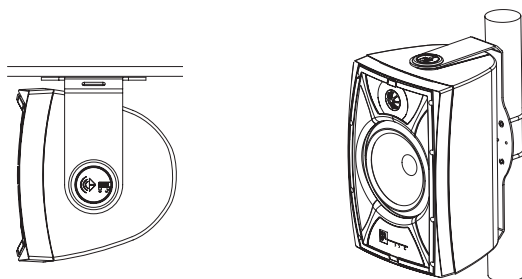
All FastMount speakers are highly weather-resistant, and when mounted outdoors will perform exceptionally well for years even under adverse weather conditions.

The new FastMount mounting system makes it easy to mount the speakers in a variety of positions and locations:



Against a wall

In a corner



Under an eave

On a pole

The best performance is obtained by placing the left and right speakers at ear level, 6 – 10 feet apart. The speakers should be facing the listeners.

- If you are mounting the speakers above or below ear level, pivot them up or down to direct the sound towards the listeners.

- You can orient the speakers either horizontally or vertically without affecting the sound quality.

WIRE GAUGE

Extra resistance in the speaker wire can make a speaker sound less dynamic and reduce definition of the bass frequencies. In extreme cases, it can even attenuate high frequencies. Also, amplifier power is wasted in wire with extra resistance, reducing your system's maximum output level.

To prevent degrading sound quality, the total wire resistance should be less than 10% of the speaker's impedance. This means that for an 8-ohm speaker, the total resistance of the wire should be less than 0.8 ohms.

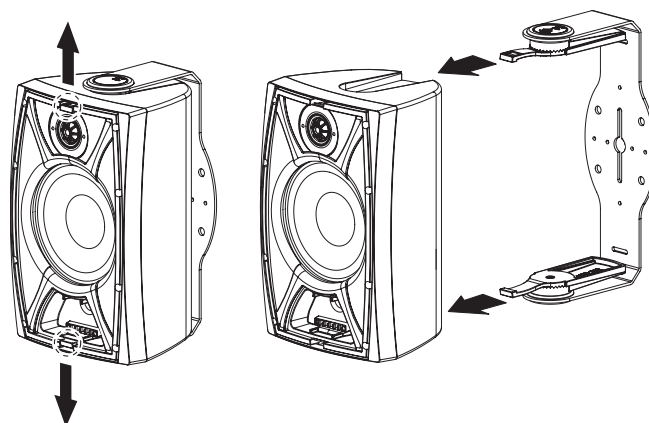
Refer to the Wire Resistance table below when selecting the proper wire gauge for your system:

Wire resistance in Ohms vs. length of cable run						
Distance in Feet	50'	100'	150'	200'	250'	300'
20 gauge	1.04	2.07	3.11	4.14	5.18	6.22
18 gauge	.65	1.30	1.96	2.61	3.26	3.91
16 gauge	.41	.82	1.22	1.63	2.04	2.45
14 gauge	.26	.52	.77	1.03	1.29	1.55
12 gauge	.16	.32	.49	.65	.81	.97
10 gauge	.10	.20	.31	.41	.51	.61

INSTALLING THE SPEAKERS

WARNING: Turn the amplifier's power OFF, or disconnect its AC plug from the wall outlet until you have completed all of the connections and have determined that they are correct.

1. Remove the speakers from the mounting brackets by pulling the tabs on the front panels away from each other, as shown below.



Pull tabs away from each other

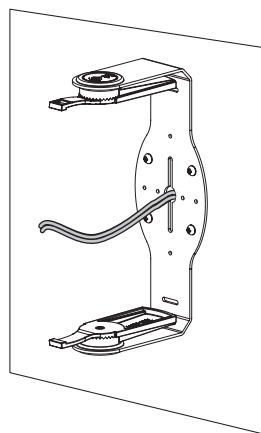
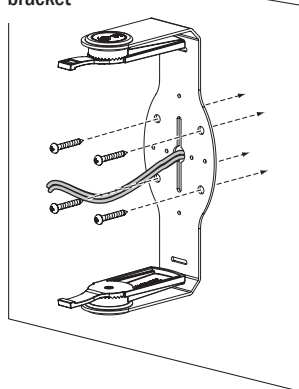
Slide speaker off bracket

- Run the speaker wires from the amplifier to the speaker locations and through the holes in the mounting brackets.

Note: To increase water resistance and make installation easier, the speaker wire terminals are located on the FastMount speakers' front panel. Be sure to leave enough wire at the speaker location to feed through the tunnel in the speaker enclosure and connect to the terminals on the front.

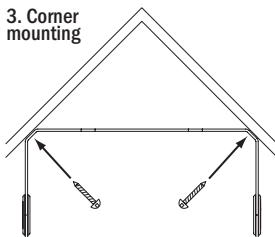
- Attach the mounting bracket to the mounting surface using hardware (not included) that is appropriate for the type of surface.

3. Attach bracket



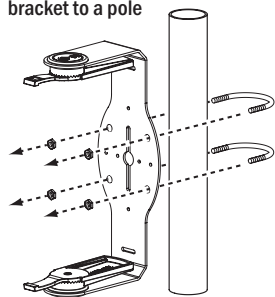
- If the installation requires that the speakers be mounted in a corner, attach the brackets with hardware through the slots in the angled corners as shown to the right.

3. Corner mounting



- If the installation requires that the speakers be mounted on poles you can attach the brackets to poles using 2½" U-bolts (not included).

4. Attaching the bracket to a pole

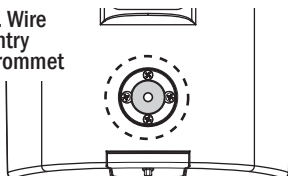


- Feed the speaker wires from the brackets into the wire entry grommets on the backs of the speakers, through the wire tunnels and out the openings on the speakers' front panels.

- The grommet forms a water-resistant seal around the speaker wire.

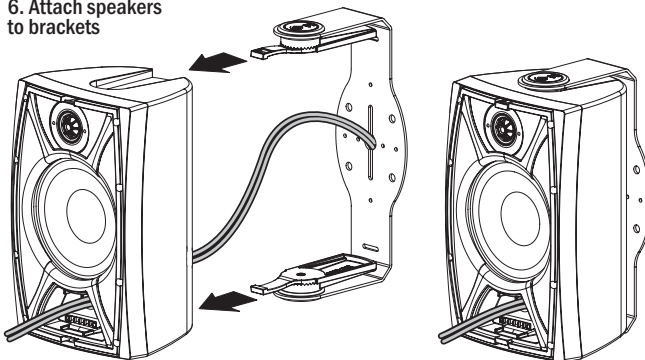
- Make sure there is enough slack in the wire to allow the speaker to pivot on the bracket.

5. Wire entry grommet



- Slide the speakers onto the brackets until the locks snap into place (see illustration, next column).

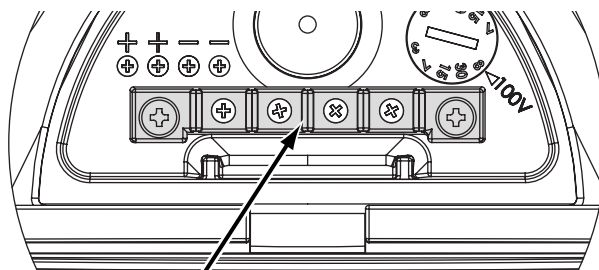
6. Attach speakers to brackets



- Pull enough wire through the front of the speaker to allow connection to the terminals.

- Connect the speaker wires to the speakers' terminals:

- Strip ¼" – ½" of insulation from each conductor and twist the strands together.
- Unscrew one of the "+" terminals and one of the "-" terminals (see illustration, below). The two left-hand terminals are "+" and the two right-hand ones are "-".



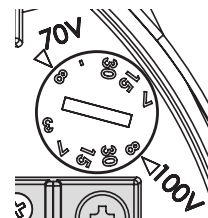
Connection Terminal

- Insert the wires behind the terminal screws and tighten the screws to secure the wires.

IMPORTANT: Be sure not to let any stray '+' and '-' wires touch each other. Touching wires can cause a short-circuit that could damage your amplifier.

- Double-check that you connected all of the wires properly (amplifier '+' to speaker '+'; amplifier '-' to speaker '-') at all connections.
- There is an extra set of "+" and "-" terminals that allow you to daisy-chain multiple speakers from a single amplifier connection.

- Determine the proper wattage setting for each speaker in the installation and set each speaker's transformer tap selector (see illustration, right) accordingly.



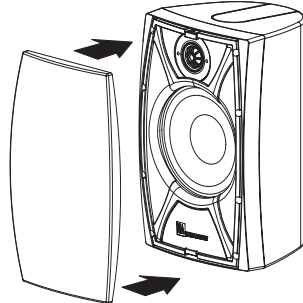
- Fit the wiring terminal covers into the recesses in the speakers' front panels (see illustration, next page). The covers should fit tightly, but can be removed and replaced if the speakers need to be disconnected.

10. Fit the grilles onto the speakers.

9. Attach the connector cover



10. Attach the grille



PAINTING THE SPEAKERS AND GRILLES

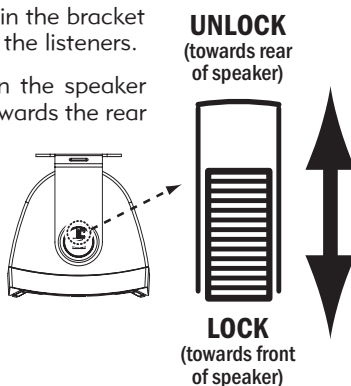
All FastMount speakers feature a tough polypropylene enclosure that can be painted. Sound Advance recommends using a weather-resistant outdoor paint and a spray gun to paint the FastMount speakers.

1. If they have already been installed, remove the grilles from the speakers.
2. To protect the speaker driver units during painting, place the grilles on a piece of cardboard and trace around their outlines. Then cut the cardboard just inside of the trace line and fit these "paint plugs" into the speakers' baffles. (Be careful not to damage the driver components while fitting the paint plugs.)
3. Paint the speakers the desired color according to the paint manufacturer's instructions. Remove the paint plugs after the paint has thoroughly dried.
4. Paint the grille separately from the speaker using very thin paint (5:1 ratio). Avoid plugging the grille holes with excess paint.

PIVOTING THE SPEAKERS

You can rotate the speaker in the bracket to direct the sound towards the listeners.

1. Unlock the slide locks on the speaker pivots by moving them towards the rear of the speaker.
2. Rotate the speakers to the desired position.
3. Lock the slide locks by moving them towards the front of the speaker.



SPECIFICATIONS

FMS860B / FMS860W

Tweeter:	1" (25mm) Polyurethane dome
Woofer:	8" (203mm) One-piece black Polypropylene cone with a rubber surround
Frequency Response:	45Hz – 20kHz ±3dB
Impedance:	6 ohms nominal; 4 ohms minimum
Power Handling:	5 watts minimum; 125 watts maximum
Sensitivity:	91dB SPL (2.83V/1 meter)
Grille Material:	Perforated aluminum
Dimensions (H x W x D):	14" x 9" x 9¼" (356mm x 229mm x 235mm)
Net Weight:	13 lbs (6.0kg) each

FMS660B / FMS660W

Tweeter:	1" (25mm) Polyurethane dome
Woofer:	6½" (165mm) One-piece black Polypropylene cone with a rubber surround
Frequency Response:	55Hz – 20kHz ±3dB
Impedance:	8 ohms nominal; 6 ohms minimum
Power Handling:	5 watts minimum; 80 watts maximum
Sensitivity:	89dB SPL (2.83V/1 meter)
Grille Material:	Perforated aluminum
Dimensions (H x W x D):	12" x 7½" x 7⅞" (305mm x 191mm x 181mm)
Net Weight:	9 lbs (4kg) each

FMS530B / FMS530W

Tweeter:	1" (25mm) Polyurethane dome
Woofer:	5¼" (133mm) One-piece black Polypropylene cone with a rubber surround
Frequency Response:	65Hz – 20kHz ±3dB
Impedance:	8 ohms nominal; 6 ohms minimum
Power Handling:	5 watts minimum; 70 watts maximum
Sensitivity:	88dB SPL (2.83V/1 meter)
Grille Material:	Perforated aluminum
Dimensions (H x W x D):	10¼" x 6½" x 6" (260mm x 165mm x 153mm)
Net Weight:	7.5 lbs (3.5kg) each



INSTRUCTION MANUAL

FASTMOUNT® SERIES

WEATHER-RESISTANT SPEAKERS

Technical Assistance and Service

The Technical Assistance Department at Sound Advance is available at (800) 592-4644 or (949) 492-5449 to answer any questions concerning the operation and installation of your speakers between the hours of 7:00 AM and 5:00 PM Pacific time, Monday through Friday, except holidays.

In the event your unit should need repair or service, you may return the unit to your authorized dealer or use the following guidelines:

1. Be prepared to state the model number and / or serial number, date of purchase and dealer's name and address when calling.
2. Contact Sound Advance directly at (800) 592-4644 or (949) 492-5449 or at www.soundadvance.com
3. If you are returning the product directly to Sound Advance, call us to obtain a return authorization number before shipping.

YOU MUST HAVE PRIOR AUTHORIZATION TO RETURN YOUR UNIT.

4. The original packaging must be used. If the original packaging is unavailable, replacements can be obtained from Sound Advance for a small fee.
5. Ship the product via United Parcel Service, Federal Express, or other package delivery service. Please do not use the U.S. Postal Service.
6. Write the return authorization number on the outside of the box.
7. Ship to:

Attn: Quality Assurance Department
Sound Advance
212 Avenida Fabricante
San Clemente, CA 92672

8. FREIGHT COLLECT SHIPMENTS WILL BE REFUSED!

Limited Warranty:

Sound Advance warrants this product to the original purchaser to be free from defects in material and workmanship, under normal use and conditions, for a period of five (5) years from the date of original purchase as shown on the invoice.

The foregoing exclusive warranty gives you specific legal rights, and you may have other rights, which vary from state to state. This warranty applies exclusively to the original purchaser.

The exclusive warranty does not apply and is ineffective if:

1. The invoice fails to establish that the product was purchased from an authorized Sound Advance dealer or distributor;
2. The product was subjected to misuse, neglect, accident, or improper installation. [Damage to the product was caused by accident, abuse, or misuse];
3. The product was modified, altered, or repaired by unauthorized personnel; or
4. The unit was not used as described in the installation and operating instructions.

Exclusive Remedy:

Sound Advance agrees, at its option during the five (5) year warranty period, to repair any defect in material or workmanship or to furnish an equal product in exchange without charge to the purchaser, subject to verification of the defect and proof of the date of purchase.

Warranty Exclusions and Damage Limitations:

The exclusive warranty set forth above is in lieu of all other warranties, express or implied, including without limitation the implied warranties of merchantability and fitness for a particular purpose, which are expressly disclaimed. In no event, and under no circumstances or legal or equitable theory, shall Sound Advance be liable or responsible for any direct or indirect damages, consequential damages, loss, or injury, including without limitation, personal injury, bodily injury, property damage, emotional distress, death, real property or personal property damage, business interruption, costs of delay or lost profits arising from the product, whether based upon warranty, contract, negligence, strict product liability or other theory.

©2006 Sound Advance. All rights reserved.

Sound Advance and FastMount are registered trademarks of Dana Innovations.

Sound Advance • 212 Avenida Fabricante • San Clemente, CA 92672 USA • (800) 592-4644 or (949) 492-5449 • FAX: (949) 361-5151

www.soundadvance.com

33-4283 05/07