

INSTRUCTION MANUAL

SONANCE® INVISIBLE SERIES

ENCLOSURE



Introduction

Thank you for purchasing a Sonance Invisible Series Speaker enclosure. When properly installed, this enclosure will greatly reduce sound in adjacent areas, and enhance the overall sound quality of the Invisible Series Speakers. This enclosure is required for all open attic installations.

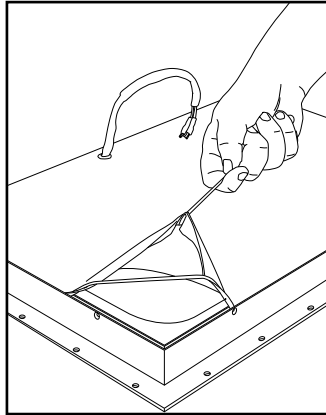
Box Contents

1. Enclosure with acoustic damping material
2. Mounting screws

Enclosure Installation

- 1) Layout IS speaker on a clean surface.

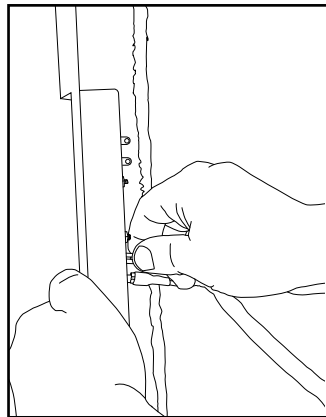
- 2) Remove and discard cloth backing of IS speaker and retaining O-ring.



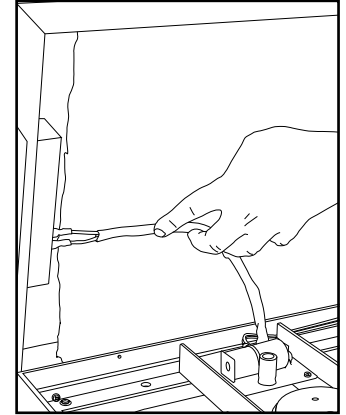
- 3) Position enclosure to the side of the IS speaker, connect leads to the enclosure.

Note:

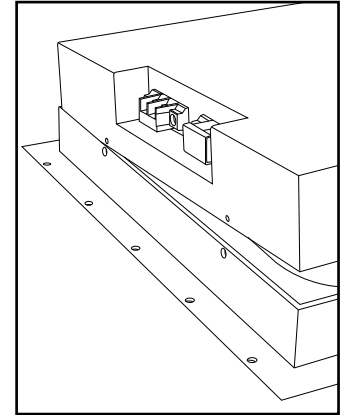
The Enclosure has two sets of leads (except IS2 model, which only has one set of leads) to be used with the IS4 SST, if using the IS4 or ISW only one set of leads will be used. Be sure to note which set is used.



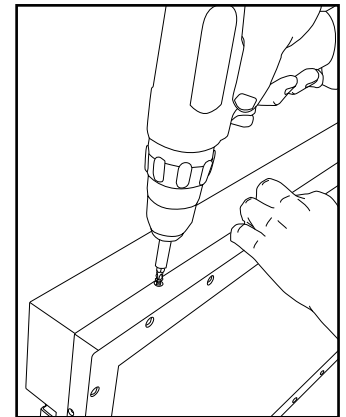
- 4) Tuck leads against the acoustic damping material to prevent the wires from touching the back of the speaker surface.



- 5) Place enclosure in the groove remaining from cloth removal.



- 6) Finish installation by screwing the enclosure to the speaker. Speaker is ready to install.



- 7) After installation is complete, test the speaker for 60 seconds with a test tone or amplified audio source.