

# BANDPASS STEREO SUBWOOFER QUICKSTART GUIDE

## BPS8 FOR USE WITH VISUAL PERFORMANCE® BANDPASS CONNECTORS

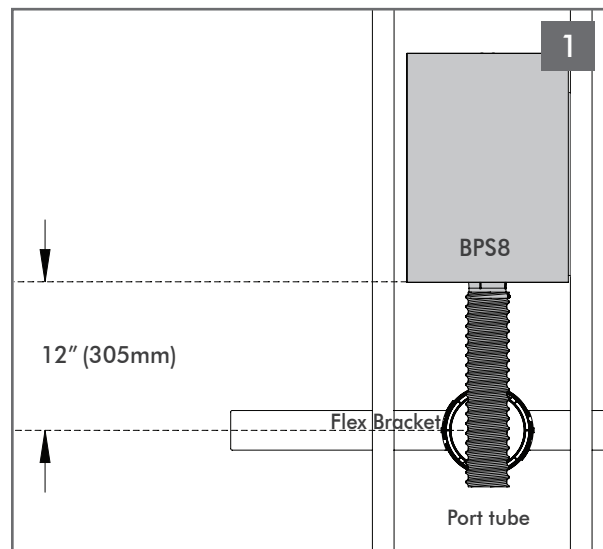


Bandpass subwoofer can be installed in joists spaced 16" on center or greater.

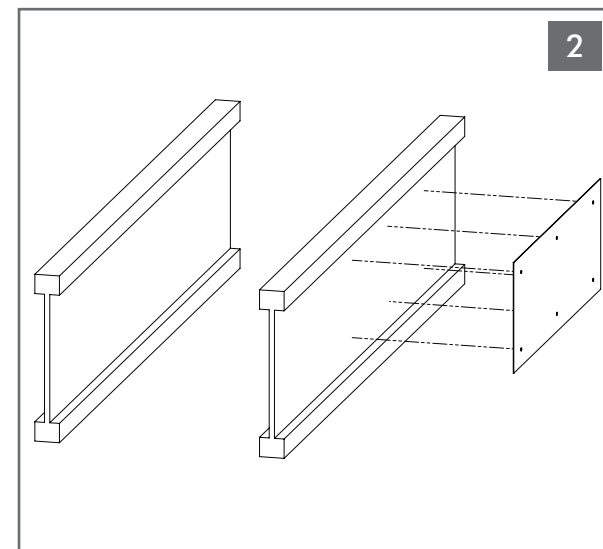
### Box Contents

- (1) Quickstart guide
- (1) Bandpass subwoofer w/ port tube
- (1) Cardboard mounting template

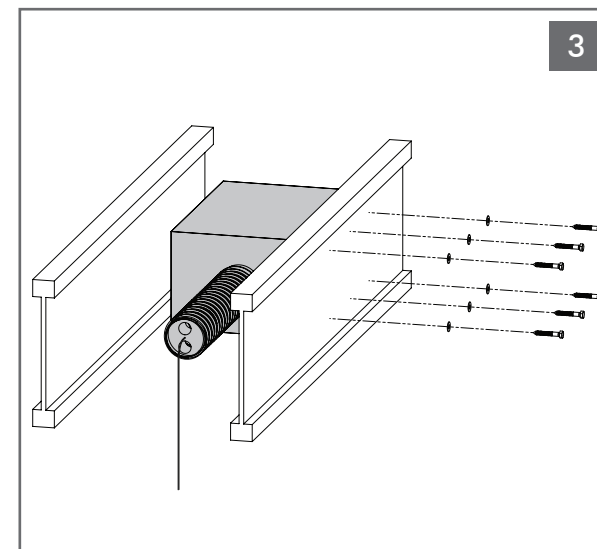
- Mounting screws & washers:
- (6) 5/16" x 2" lag screws (for thinner beams)
  - (6) 5/16" x 3" lag screws (for thicker beams)
  - (6) 5/16" washers



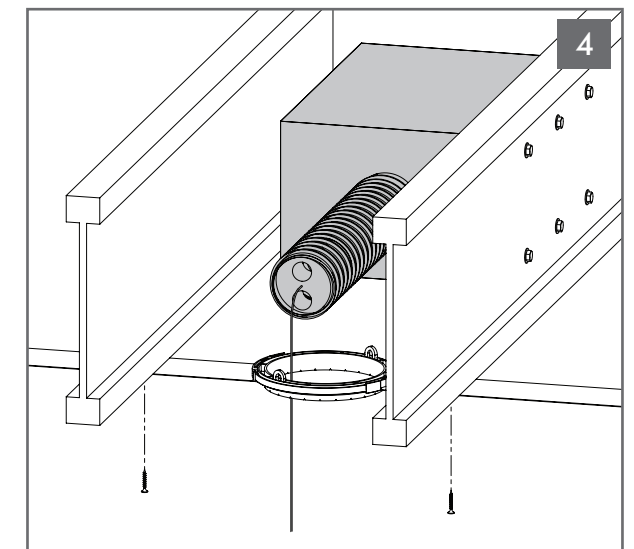
Determine the location for the flex bracket. Ensure there is adequate room for the BPS8 subwoofer at the location of the flex bracket. **The speaker opening must be located within 12" (305mm) of the BPS8 to allow the port tube to reach through the flex bracket.**



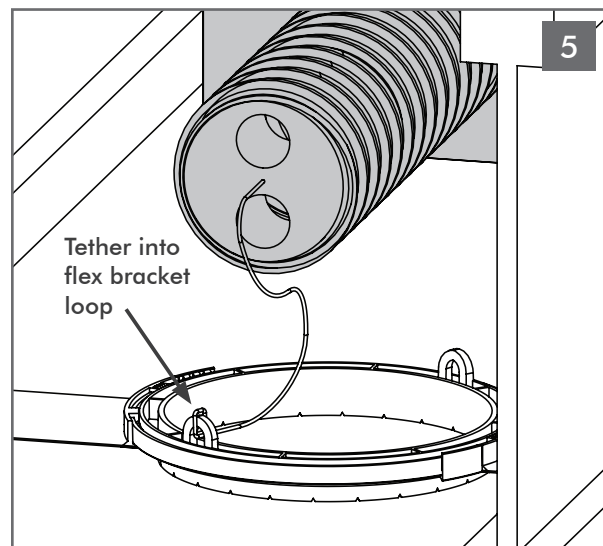
Place the mounting template on the side of the joist and drill six 1/2" (12.7mm) holes through the joist at the locations shown on the mounting template.



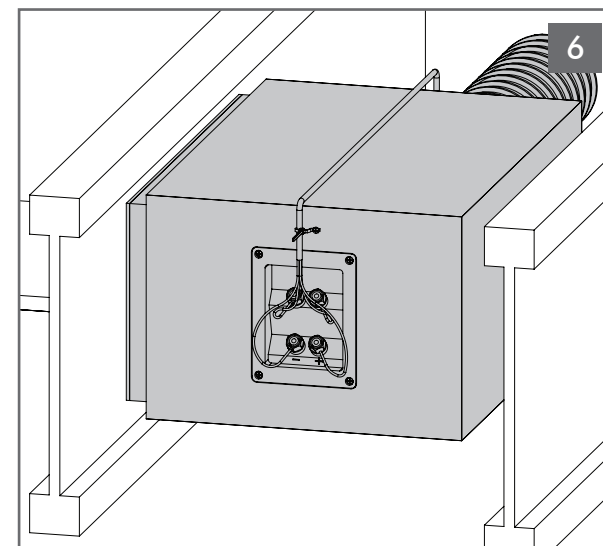
Hold the side of the BPS with the rubber damping pad up against the side of the joist and install the six lag screws and washers to secure the BPS in place.



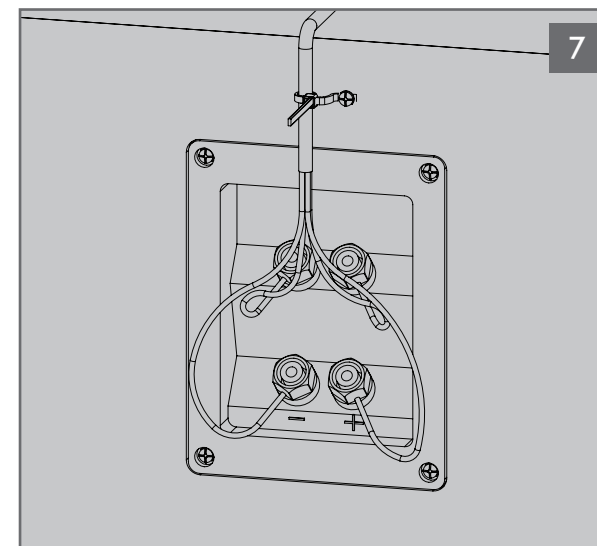
Attach the flex bracket to the joists. **The flex bracket must be located within 12" (305mm) of the BPS8 to allow the port tube to reach through the flex bracket opening.**



Loop tether into the flex bracket. Pull tether all the way until port tube lies firmly on the flex bracket. Tie tether into a knot. This process ensures that other tradespersons won't infringe on port tube assembly area.



Secure the wires to the included zip tie near the terminals to prevent accidental removal by another tradesperson.



Attach the **four conductor wires** from the amplifier to the input terminals on the end of the BPS. Positive wires to red terminals and negative wires to black terminals. Run the speakers wires to amplifier location and run signal test with 9V battery. **NOTE: Port tube contains foam plug with tether, make sure pressure levels don't expel the foam and tether. Do not connect the voice coils in parallel.**

©2014 Sonance. All rights reserved.  
 Sonance, Architectural Series and Visual Performance are registered trademarks of Dana Innovations.  
 Due to continuous product improvement, all features and specifications are subject to change without notice.  
 For the latest Sonance product specification information, visit our website: [www.sonance.com](http://www.sonance.com)

SONANCE  
 212 Avenida Fabricante  
 San Clemente, CA 92672-7531 USA  
 (800) 582-7777 or (949) 492-7777  
 FAX: (949) 361-5151  
 Technical Support: (800) 582-0772  
[www.sonance.com](http://www.sonance.com)