

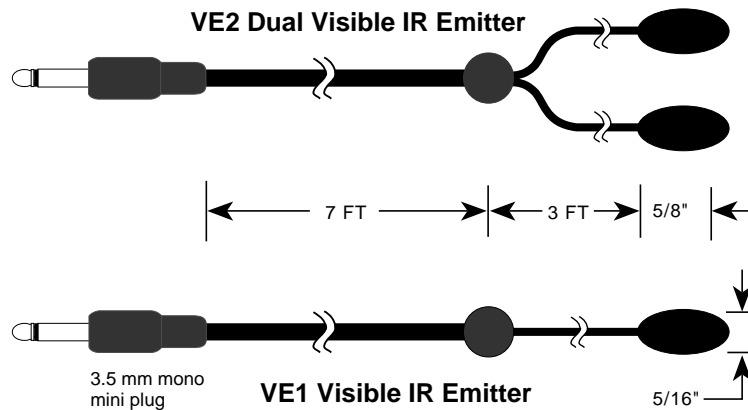
INSTALLATION INSTRUCTIONS

VE1 AND VE2

VISIBLE AND DUAL VISIBLE IR EMITTER

DESCRIPTION

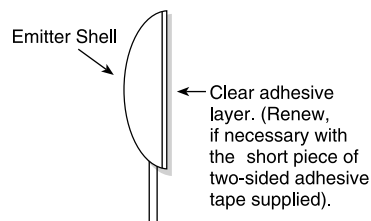
The **VE1** Single and the **VE2** Dual Visible Emitters each contain a small Infrared LED, housed in a small plastic shell. Unlike other emitters, they emit visible red light in addition to IR (infrared) control signals when activated by IR commands sent to them by IR receivers or other Sonance controllers. They are designed to be installed directly on the IR sensor window of each controlled device.



INSTALLATION

ATTACHING THE EMITTERS TO IR SENSOR WINDOWS

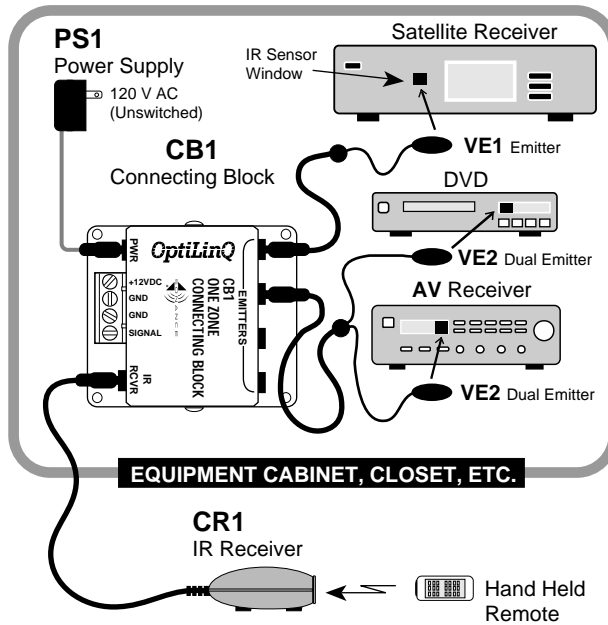
- Each emitter has a clear adhesive layer on the bottom flat surface of the shell. The rounded side faces the user and emits visible red light when a command is sent.
- Simply peel off the protective cover and affix the emitter to the center of the IR sensor window on the controlled component's front panel. Move the emitter back and forth in front of the window while sending codes to find the best location. A foil-packed alcohol swab has been included for your convenience. Use the swab to clean off the IR sensor window before adhering the IR emitter(s) or to clean the IR emitter(s) after installation.
- In some cases it may be difficult to find the location of the IR sensor on the component. Consult the owner's manual of the unit, or the manufacturer, for the exact IR window location.
- Double-sided adhesive tape is included. If you move the emitter to a different component, use this tape to replace the current adhesive layer.
- The shell is transparent to infrared light, allowing commands from a handheld remote control to pass through the shell. This permits direct control of the equipment from a handheld remote as well as with the **VE1** or **VE2**.



OptiLinQ

CONNECTING THE EMITTERS

- Simply insert the mono mini plug of the **VE1** and **VE2** emitters into the "EMITTERS" or "OUT" jacks on any of the Sonance Connecting Blocks or Controllers.
- **CAUTION: DO NOT** plug emitters into the IN/OUT or HIGH OUT jacks on the **CB1** and **ACB1** Connecting Blocks. To do so will destroy the emitters!
- The following diagram illustrates a typical basic system using the **VE1** and **VE2** emitters.



- The **VE2** is designed to control two devices. If only one is to be controlled, hide the extra emitter behind the equipment. It may be used in the future if an extra device is added.
- **DO NOT CUT** the extra emitter wire in an attempt to remove it. The two emitters are wired in series. Cutting or removing one emitter will prevent the other from working.
- These visible emitters may also indicate the presence of stray IR or RF interference by randomly blinking when no IR control signal is being sent. Reposition the IR receiver or the interfering source to eliminate or reduce the random blinking. The more the random blinking is reduced, the better the system will function.
- If the emitter glows red constantly, the signal line is shorted to "+12VDC" or a constant noise, like florescent lights are present near the IR receiver.

