

INSTALLATION INSTRUCTIONS

SONANCE LANDSCAPE SERIES 9" GROUND STAKE FOR LS47SAT AND LS48SAT

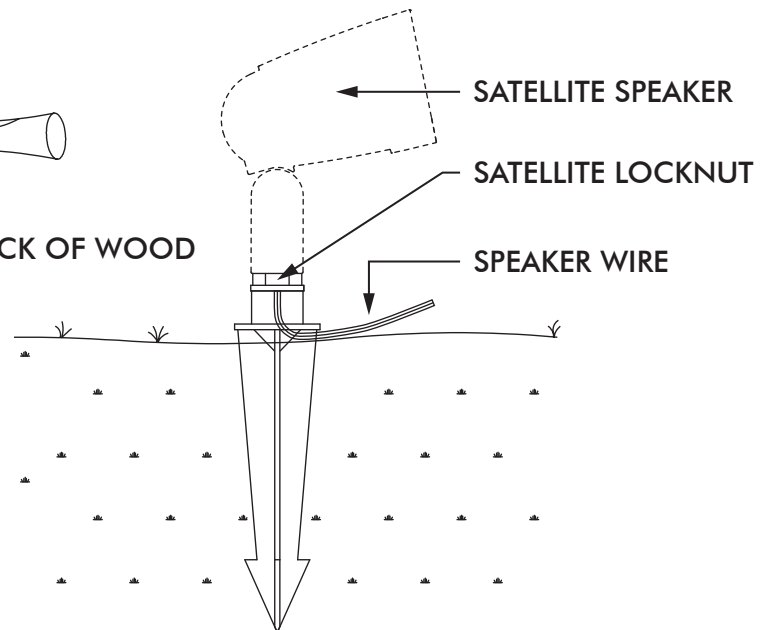
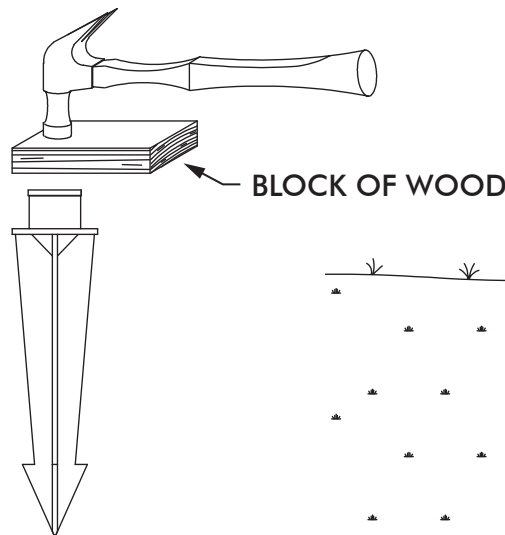
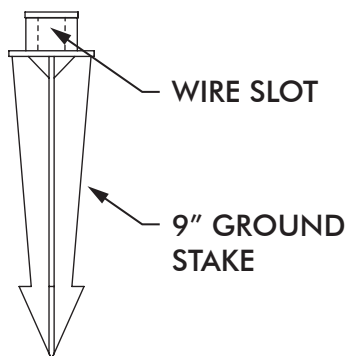


READ THESE INSTRUCTIONS CAREFULLY BEFORE INSTALLING THIS STAKE

This stake is intended for installation in accordance with the National Electrical Code and local code specifications. Failure to adhere to these codes and instructions may result in serious injury and/or damage to the stake and will void the warranty. These instructions cover most installation applications. For any special applications not covered, please contact Sonance for assistance.

INSTALLATION INSTRUCTIONS

1. Drive stake into ground.



- **For installation in soft soil:** The stake can be installed without excavating the soil. Place a block of wood on top of the stake and drive it into the ground by striking the wood with a hammer.
 - **For installation in hard soil:** Dig a hole for the stake. Place stake in hole with top cylinder of the stake above ground level. Hold the stake straight while backfilling and compacting the soil.
2. Pull satellite speaker wires through top of stake and out either side on the bottom opening.
 3. Thread satellite into top of stake. Rotate satellite until it is aimed in the desired position. Satellites are equipped with a locknut, tighten locknut against stake.
 4. Connect satellite to cable per the installation instructions for the satellite.

©2015 Sonance. All rights reserved. Sonance is a registered trademarks of Dana Innovations.
Due to continuous product improvement, all features and specifications are subject to change without notice.
For the latest Sonance product specification information visit our website: www.sonance.com

SONANCE • 212 Avenida Fabricante • San Clemente, CA 92672-7531 USA
(949) 492-7777 • FAX: (949) 361-5151 • Technical Support: (949) 492-7777