

SONANCE

Wireless Transmitter Quickstart Guide



Box Contents

- Sonance Wireless Transmitter
- Rack Mounting Bar
- Quickstart Guide
- Power Supply

Subwoofer Wireless Transmitter



Compatible with:

- Sonance Impact Subwoofers
- Sonance D8 Subwoofer

INSTALLATION

1. For mounting applications remove the provided mounting bar and screws from the bag and secure them to the transmitter (see Figure 1).

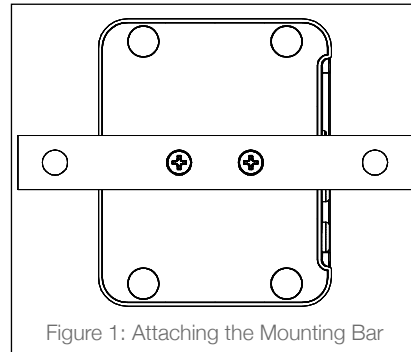


Figure 1: Attaching the Mounting Bar

2. Plug the provided power supply cable into the Sonance Wireless Transmitter (see Figure 2).

NOTE: THE 5 VOLT, 1 AMP POWER SUPPLY MUST BE PLUGGED INTO A NON-SWITCHED OUTLET.
AC100 - 120V * 60HZ
AC 220-240V * 50HZ

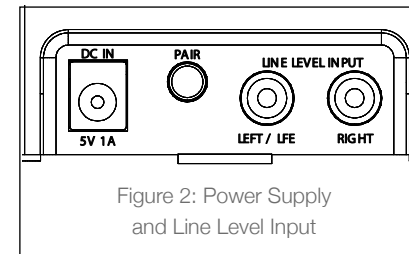


Figure 2: Power Supply and Line Level Input

3. Connect RCA cables from your receiver/pre-amplifier's subwoofer output to the input of the Sonance Wireless Transmitter.

NOTE: MOST SURROUND RECEIVERS (AND PRE-AMPLIFIERS) HAVE A LINE LEVEL SUBWOOFER OUTPUT LABELED SUBWOOFER PRE OUT, SUB OUT, SW OUT ETC. IF YOU HAVE THIS OUTPUT, CONNECT ONE END OF A SUBWOOFER CABLE TO IT AND CONNECT THE OTHER END OF THE CABLE INTO THE SUBWOOFER LINE INPUT LABELED LEFT/LFE. THIS CONNECTION ALLOWS THE SUBWOOFER TO OPERATE WITH BOTH MUSIC AND SURROUND SOUND MOVIES (REFER TO YOUR RECEIVER MANUAL).

SET-UP

1. Once your Sonance Wireless Transmitter and your Sonance Subwoofer are powered on, press and hold the PAIR button located on the back of the Sonance Wireless Transmitter (see Figure 3).

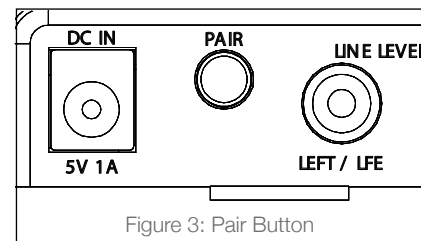


Figure 3: Pair Button

2. Once your wireless transmitter is in PAIR mode, the LED light located on the front of the unit will blink (see Figure 4).

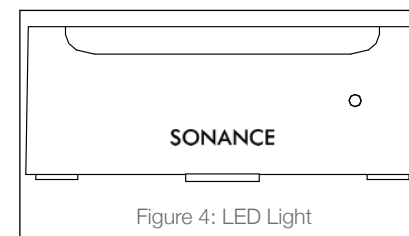


Figure 4: LED Light

3. Within 30 seconds, press and hold the wireless PAIR button located on the back of your Sonance Subwoofer (see subwoofer manual for further instructions).
4. When your subwoofer and wireless transmitter are paired, the wireless status LED light on the back of your subwoofer and on the front of your Sonance Wireless Transmitter will turn solid blue. Your subwoofer and wireless transmitter are now successfully set-up.

NOTE: THE SONANCE WIRELESS TRANSMITTER HAS A RANGE OF 30'.

PRECAUTIONS

- Read these instructions.
- Keep these instructions.
- Clean only with dry cloth.
- Do not use this apparatus near water.
- Do not block any ventilation openings. Install in accordance with the manufacturer's instructions.
- Do not install near any heat sources such as radiators, heat registers, stoves or other apparatus (including amplifiers) that produce heat.
- Do not defeat the safety purpose of the polarized or grounding-type plug. A polarized plug has two blades with one wider than the other. A grounding type plug has two blades and a third grounding prong. The wide blade or the third prong are provided for your safety. If the provided plug does not fit into your outlet, consult an electrician for replacement of the obsolete outlet.
- Protect the power cord from being walked on or pinched particularly at plugs, convenience receptacles, and the point where they exit from the apparatus.
- Heed all warnings.
- Follow all instructions.

- Only use attachments/accessories specified by the manufacturer.
- Unplug this apparatus during lightning storms or when unused for long periods of time.
- Refer all servicing to qualified service personnel. Servicing is required when the apparatus has been damaged in any way, such as power-supply cord or plug is damaged, liquid has been spilled or objects have fallen into the apparatus, the apparatus has been exposed to rain or moisture, does not operate normally or has been dropped.
- **WARNING:** To reduce the risk of fire or electric shock, this apparatus should not be exposed to rain or moisture and objects filled with liquids, such as vases, should not be placed on this apparatus.
- To completely disconnect this equipment from the mains, disconnect the power supply cord plug from the receptacle.
- The mains plug of the power supply cord shall remain readily operable.



WARNING

The lightning bolt with arrowhead symbol within an equilateral triangle, is intended to alert the user to the presence of uninsulated "dangerous voltage" within the product's enclosure that may be of sufficient magnitude to constitute a risk of electric shock to persons.

SONANCE WIRELESS TRANSMITTER

The Sonance Wireless Transmitter is designed to be compatible with select Sonance products. The transmitter provides a wireless link between the audio source and the wireless receiver/subwoofer.

©2017 Sonance. All rights reserved. Sonance is a registered trademark of Dana Innovations. Due to continuous product improvement, all features and specifications are subject to change without notice.

For the latest Sonance product specification information visit our website: www.sonance.com



CAUTION

The exclamation point within an equilateral triangle is intended to alert the user to the presence of important operating and maintenance (servicing) instructions in the literature accompanying the product.

SONANCE • 991 Calle Amanecer • San Clemente, CA 92673 USA
Phone: (949) 492-7777 • FAX: (949) 361-5151
Technical Support: (949) 492-7777

SONANCE