

OUTDOOR VISUAL PERFORMANCE® EXTREME

VPXT6

Overview

Sonance Visual Performance Extreme speakers are the perfect choice for the most demanding environments. The VP Extreme line combines best-in-class audio performance with a new grille retention system that ensures the grille holds securely in place. They are built to withstand extreme temperatures from -30°F to +175°F (34°C to +79°C) and conform to Military Standard 810G and IP-66 ratings making them the ideal solution for bathrooms, patios and marine environments.

Key Features

Aesthetics

- Elegant, sleek appearance disappears into any space
- Paintable grille to match surroundings

Performance

- Developed using cutting edge design and computer modeling software
- Consistent tonality across all listening levels
- Clear and natural treble
- High excursion polypropylene/graphite woofer produces smooth effortless bass

Installation

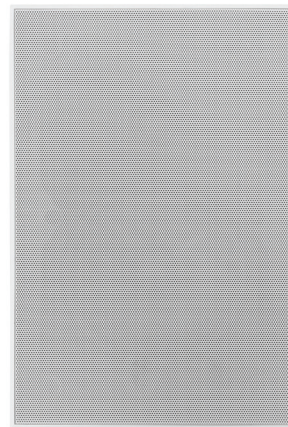
- One-piece powder coated stainless steel grille
- Simplified single-step grille painting process
- Two-piece Roto-Lock® toggle feet
- New XPC Grille Retention Technology® ensures the grille holds securely in place

Environmental

- Environmental Temperature: -30°F to +175°F (34°C to +79°C)
- Conforms to Military Standard 810G for humidity, salt spray, temperature and UV
- IP-66 rating for protection against heavy seas and powerful jets of water



VPXT6



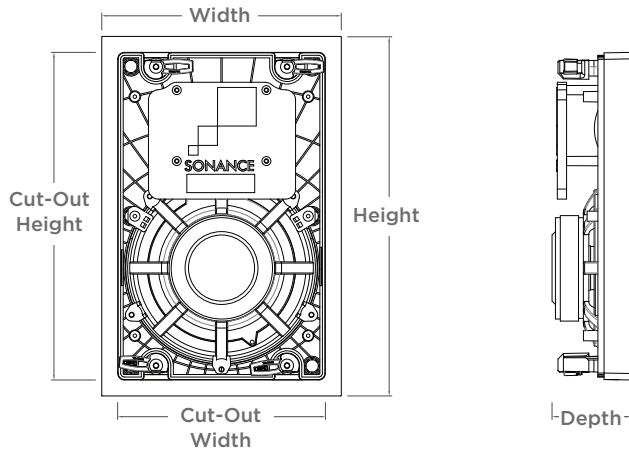
VPXT6 Grille
Front



VPXT6 Grille
Back

Dimensional Sketches Specifications


Width:	8 3/8" (213mm)
Height:	12 1/4" (311mm)
Depth:	2 9/16" (65mm)
Cut-Out Width:	6 15/16" (176mm)
Cut-Out Height:	10 3/4" (273mm)



Specifications

SKU:	93338
Unit of Measure:	Pair
Tweeter:	1" (25mm) polyurethane dome, Ferrofluid cooled, in acoustic back chamber
Woofers:	6 1/2" (165mm) injection-molded polypropylene/graphite cone, with integral Santoprene™ surround
Frequency Response:	45Hz - 20kHz ±3dB
Impedance:	8 Ohms nominal; 6 Ohms minimum
Power Handling:	5 Watts minimum; 125 Watts maximum
Sensitivity:	89dB SPL (2.83V/1 meter)
Environmental:	Conforms to Military Standard 810G for humidity, salt spray, temperature and UV, IP-66 waterproof rating
Environmental Temp:	-30° to +175°F (-34°C to +79°C)
Speaker Depth:	2 1/2" (64mm)
Dimensions:	8 3/8" x 12 1/4" (213mm x 311mm)
Cut-Out Dimensions:	6 15/16" x 10 3/4" (176mm x 273mm)
Grille Material:	Powder-coated stainless steel
Shipping Weight:	12 lbs (5.4 kg) pair

Recommended Products

Medium Rect. Retrofit Enclosure (Pair Per Box)	92342	
Medium Rect. Acoustic Enclosure (Pair Per Box)	91687	
Medium Rectangle Flex Bracket (5 Pair Per Box)	92336	
Medium Rectangle Coverplate (Pair Per Box)	92334	

LIMITED FIVE (5) YEAR WARRANTY

Sonance warrants to the first end-user purchaser that this Sonance-brand product ("Product"), when purchased from an authorized Sonance Dealer/Distributor, will be free from defective workmanship and materials for the period stated below. Sonance will at its option and expense during the warranty period, either repair the defect or replace the Product with a new or remanufactured Product or a reasonable equivalent. Warranty Period for this Product: Five (5) years from the date on the original sales receipt or invoice or other satisfactory proof of purchase.



©2018 Sonance. All rights reserved.

Sonance and Visual Performance are registered trademarks of Dana Innovations.

Due to continuous product improvement, all features and specifications are subject to change without notice.

For the latest Sonance product specification information visit our website: www.sonance.com

SONANCE • 991 Calle Amanecer • San Clemente, CA 92673 USA
(949) 492-7777 • FAX: (949) 361-5151 • Technical Support: (949) 492-7777

www.sonance.com