



CT10

Wide-Dispersion Speaker for 8" Installations

Recommended Installations:

- Suspended ceilings
- Wood or metal stud ceilings
- Soffits
- Retrofit into almost all standard 8" speaker openings

Recommended Environment:

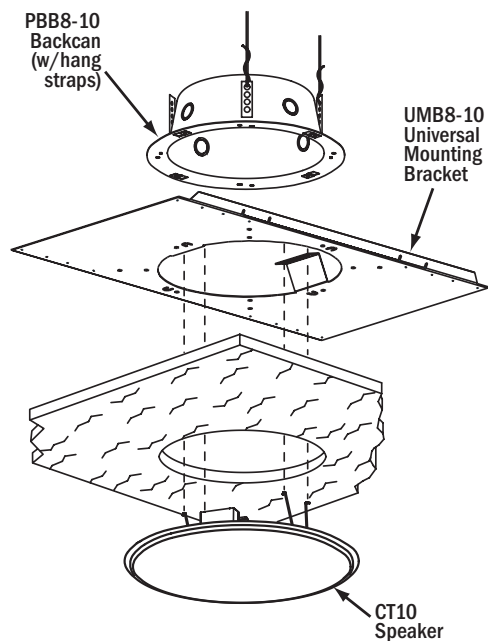
- Indoor or weather-protected outdoor

Recommended Accessories:

- PBB8-10 Backcan
- UMB8-10 Universal mounting bracket
- ECS8-10 Enclosure compensation module



Installation Example:



HIGH QUALITY, WIDE DISPERSION LOUDSPEAKER

The Sound Advance® CT10 is a unique, extended bandwidth, wide-dispersion planar loudspeaker designed for use in commercial installations. Concealed mounting hardware results in a more discreet appearance than conventional speakers.

Patented Planar Diaphragm Technology™ allows a CT10 that has been properly installed in a ceiling boundary to radiate sound in a 140° hemispherical pattern with smooth, even coverage. This dispersion characteristic allows CT10 speakers to be spaced farther apart than narrow-dispersion conventional speakers, reducing the total quantity of loudspeakers required in almost any installation.

The CT10 is generally mounted into wood or metal stud ceilings or suspended ceiling tile systems, and will retrofit into almost all existing standard 8" diameter speaker openings. Mounting is by torsion springs, and optional tile bridge and backcan mounting accessories are available. An optional enclosure compensation module is also available, to restore bass performance when the CT10 is installed in a backcan.

The flat Expanded Polystyrene® [EPS] loudspeaker surface may be finished with water soluble materials such as latex paints to match almost any decor or color requirement using conventional brush-on, roller or airless spray application systems.

The CT10 is transformer-coupled, with the following taps: 0.5W, 1W, 2W, 4W, 8W, 16W, and 8-ohm bypass.

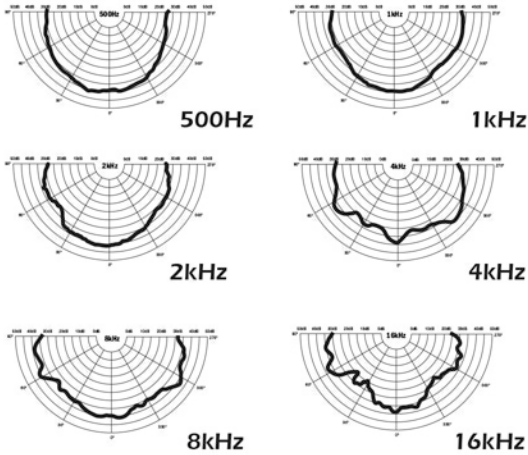
Warranty:

Sound Advance® warrants the CT10 to be free of any defect in material of workmanship for a period of 5 years from the date of purchase. During the warranty period, Sound Advance will repair or replace (at its option) all such defects without charge for parts or labor, if returned prepaid to the proper Sound Advance service facility, together with the original sales receipt or other proof of purchase. The unit will be returned prepaid.

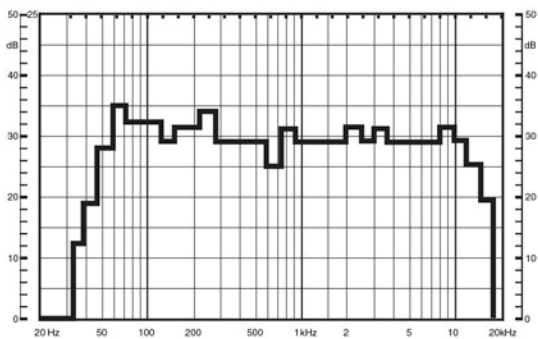
CT10

Wide-Dispersion Speaker for 8" Installations

Polar Response:



On-Axis Frequency Response:



Measured in an Infinite Baffle Enclosure

Performance Specifications:

Radiating Surface:	125 in ² (806.5cm ²) Planar Diaphragm (fits standard 8" diameter speaker openings)
Driver System:	0.82 lb (0.37 kg) Magnet with 1.02" (26mm) voice coil
Frequency Response:	80Hz – 15kHz ±4dB
Power Rating:	20 Watts RMS as per EIA Standard RS-426-A
Pressure Sensitivity:	94dB, 1W/1m
Maximum Output:	106dB @ 1 meter
System Impedance:	8 ohms nominal; 5.5 ohms minimum
Transformer:	Primary Voltage — 70.7 Volts Primary Taps — 0.5, 1, 2, 4, 8, 16 Watts; 8 ohm bypass
Dimensions (Dia x D):	13" x 2 ³ / ₈ " (330mm x 60mm)
Product Weight:	4.3 lbs. (1.9kg) each
Shipping Weight:	12.0 lbs. (5.5kg) pair

Architects and Engineers Specification:

The loudspeaker shall be a full-range device, producing frequencies from 80Hz to 15kHz in both horizontal and vertical planes. Total radiating surface shall be 125 in² (806.5cm²). The high-frequency dispersion shall be at least 140° up to 15kHz in both horizontal and vertical planes. The loudspeaker shall have a sensitivity of 94dB (1W/1m) with a power rating of 20 watts RMS according to EIA standard RS-426-A.

The loudspeaker shall have an exterior frame constructed of stamped steel, with a powder-coated white enamel finish, measuring 13" (330mm) in diameter and a total unit depth of 2³/₈" (60mm) - not including backcan. Torsion spring mounting facilities shall be concealed from view of the installed speaker.

The complete unit shall weigh no more than 4.3 lbs. (1.9kg).

The loudspeaker shall be the Sound Advance CT10 or equivalent.

Optional accessories:

PBB8-10:	Backcan for ducted air return ceilings 12 ¹ / ₄ " Dia x 4 ¹ / ₄ " D (311mm x 106mm); 10 ¹ / ₄ " Cutout Dia (260mm) 1.7 lb (0.7kg)
UMB8-10:	Universal mounting bracket for solid or suspended ceilings 2.7 lb (1.23kg)
ECS8-10:	Line-level enclosure compensation module for installations using the PBB8-10 backcan



212 Avenida Fabricante
San Clemente, CA 92672
(800) 592-4644 • (949) 492-5449
FAX: (949) 361-5151

www.soundadvance.com