

SONANCE LANDSCAPE SERIES

LS48SAT TWO-WAY LOUDSPEAKER



Product Family Overview

The LS48SAT is the second generation of the 70 Volt Sonance Landscape Series satellite loudspeaker. The SLS SAT & SUB system provides a superior landscape aesthetic enabling camouflaged speakers to evenly immerse a space with extraordinary sonic performance in any terrain. The LS48SAT can be positioned in trees,

hidden in planting beds, or along walkways. The robust professional-grade drivers and electronics coupled with our proprietary Ultra-Violet (UV) resistant composite enclosures ensure years of enjoyment. 70 Volt audio systems allow for extremely flexible and expandable landscape designs.

Features and Benefits

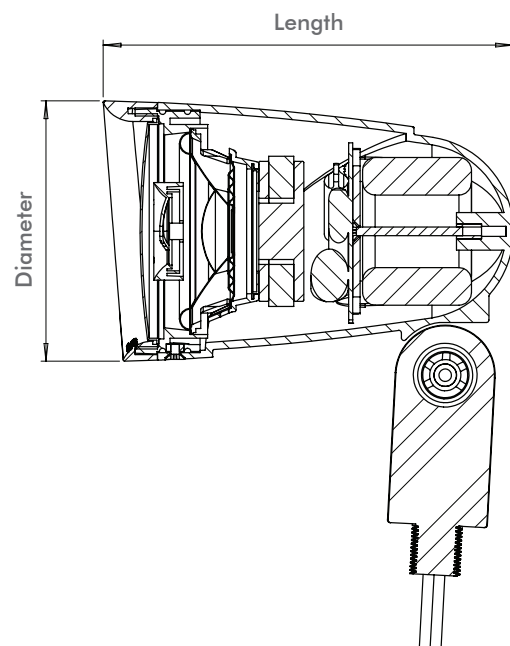
- Part of a scalable system that delivers perfectly even coverage and unequalled sonic performance throughout any sized space
- Designed to be hidden under plants and in trees
- Two-way loudspeaker for detail & clarity
- Color-molded composite construction won't chip, peel or fade over time
- (UV) resistant composite enclosure
- 1/2" NPS/NPT male mounting threads enable various mounting options
- Robust construction designed to handle extreme conditions
- Rust-proof protective grille
- 40 Watt transformer
- 70 Volt systems allow expandable landscape designs



Dimensions

LS48SAT

Length: 6 1/2" (164mm)
Diameter: 4 3/32" (104mm)



Specifications







SPECIFICATIONS

LS48SAT

SKU	93103
UOM	Each
Tweeter	1/2" (13mm) PEI polycarbonate dome
Woofers	3.5" (89mm) polypropylene cone with a Santoprene rubber surround
Frequency Response	80Hz - 20kHz ±3dB
Transformer	70V/40 Watts
Enclosure Material	Non-corrosive sealed enclosure
Listening Area	60° coverage, 0' to 40' recommended
Dimensions (L x Dia.)	6 1/2" x 4 3/32" (164mm x 104mm)
Shipping Weight	3.85 lbs (1.75 kg)



LS48SAT Associated Products

Sonamp DSP 2-750 Amplifier (Each)	93095	
LSV10SUB (Each)	93104	
LS12ESUB (Each)	93110	
HS10SUB (Each)	92936	

LIMITED FIVE (5) YEAR WARRANTY

Sonance warrants to the first end-user purchaser that this Sonance-brand product ("Product"), when purchased from an authorized Sonance Dealer/Distributor, will be free from defective workmanship and materials for the period stated below. Sonance will at its option and expense during the warranty period, either repair the defect or replace the Product with a new or remanufactured Product or a reasonable equivalent. Warranty Period for this Product: Five (5) years from the date on the original sales receipt or invoice or other satisfactory proof of purchase.



©2014 Sonance. All rights reserved.
Sonance, is a registered trademarks of Dana Innovations.

Due to continuous product improvement, all features and specifications are subject to change without notice.
For the latest Sonance product specification information visit our website: www.sonance.com

SONANCE • 212 Avenida Fabricante • San Clemente, CA 92672-7531 USA
(949) 492-7777 • FAX: (949) 361-5151
www.sonance