

Sonance Flex Bracket Installation Instructions



Introduction

The Sonance Flex Bracket is installed during construction and serves as a guide for the drywall installer when cutting openings. The Flex Bracket can be nailed, screwed or stapled to studs or joists in the desired location for the speaker. Once the drywall is cut, the speaker is clamped to the wall or ceiling using its RotoLock® clamps (the Flex Bracket does not need to be removed).

This manual covers all Flex Brackets for Sonance Visual Performance® and other speakers.

Box Contents

Your Sonance Flex Bracket box should contain the following items:

- (10) Sonance Flex Bracket frames
- (20) Flex Bracket wings
- (40) Flex Bracket wing locks

NOTE: Wing locks for all rectangular and square Flex Brackets are RED; wing locks for Sonance VP8R Flex Brackets are GREEN; wing locks for Sonance VP6R Flex Brackets are YELLOW.

Installation

1. Hold the Flex Bracket frame with the "This Side Out" legends facing towards you.
 2. Insert the wings into rectangular and square Flex Bracket frames at the corner entry points (see *Figure 1*); insert the wings into round Flex Bracket frames at the single entry point marked with the arrow (see *Figure 2*).
- Once they are attached to the Flex Bracket frame, the Flex Bracket wings can be positioned anywhere around the frame (see *Figure 3*).

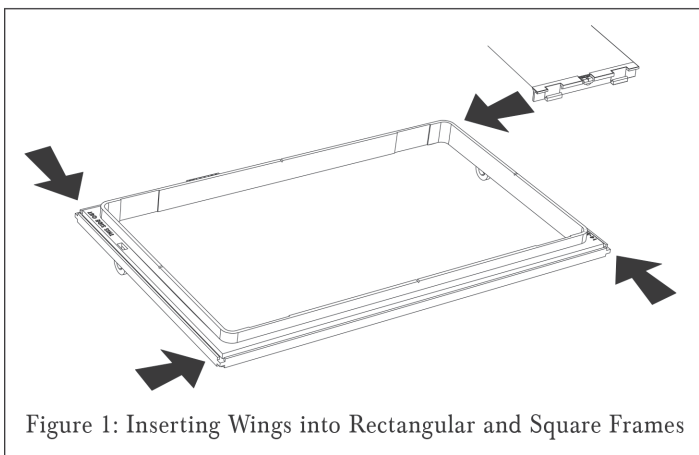


Figure 1: Inserting Wings into Rectangular and Square Frames

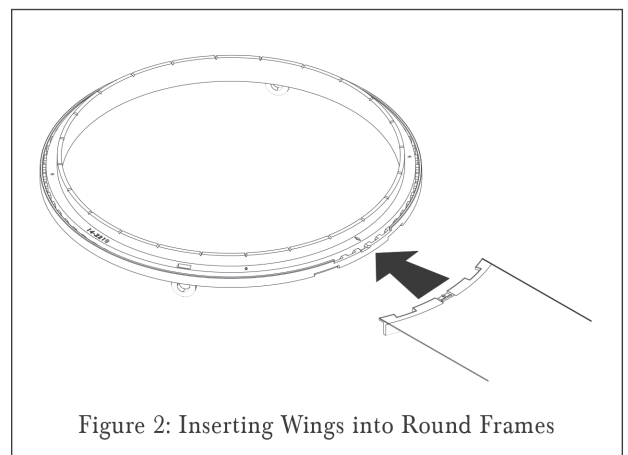


Figure 2: Inserting Wings into Round Frames

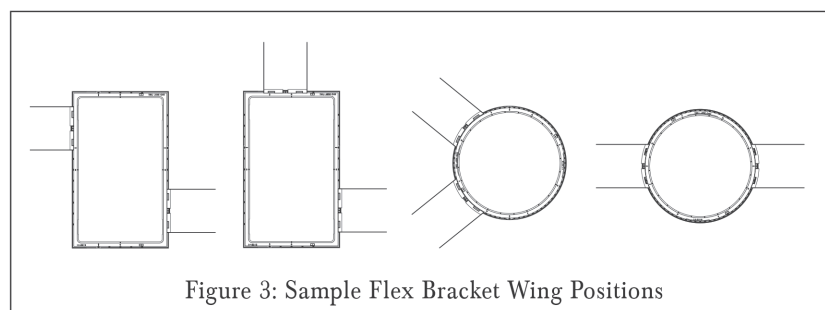


Figure 3: Sample Flex Bracket Wing Positions

Sonance Flex Bracket Installation Instructions



3. Once the wings are in the desired positions on the frame, you can hold them in position by placing wing locks on either side of it. The locks snap into place in the channel on either side of the wing (see *Figure 4*). This will prevent the Flex Bracket frame from moving out of position after the Flex Bracket wings are fastened to the wall studs or ceiling joists in the mounting location.

- Locks for all rectangular and square Flex Brackets are RED
- Locks for Sonance VP8R Flex Brackets are GREEN
- Locks for Sonance VP6R Flex Brackets are YELLOW

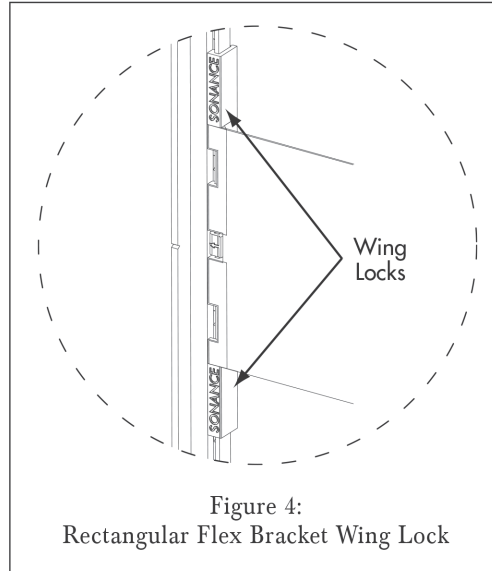


Figure 4:
Rectangular Flex Bracket Wing Lock

4. Position the Flex Bracket in the desired location against the wall studs or ceiling joists, with the "This Side Out" legends facing outward. The speaker will be slightly adjustable within the hole (about $\frac{1}{8}$ " in all directions).

5. For rectangular and square Flex Brackets, use the 4 centering marks on the frame to line it up properly, then use a square or level to set the permanent location.

6. Attach the Flex Bracket wings to the studs or joists using screws, nails or staples that are at least $\frac{1}{2}$ " long. Use at least 2 fasteners per wing.

7. Feed the speaker wire through one of the Flex Bracket's two wire loops. This will keep the wire readily accessible to speaker installation personnel after the drywall is installed. (See *Figure 6*.)

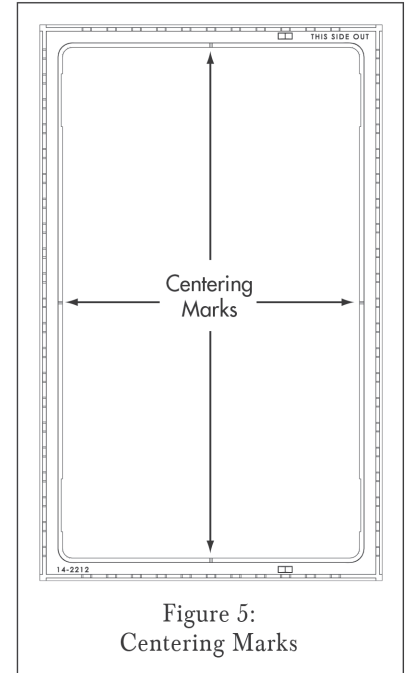


Figure 5:
Centering Marks

Removing the Flex Bracket Wings

Rectangular and Square Flex Brackets:

- Remove the wing locks and slide the wings out of the bracket channel at the corner entry points.

Round Flex Brackets:

- Remove the wing locks, position the wing at the entry point in the bracket channel with its arrow facing the arrow in the channel and pull the bracket out of the channel.

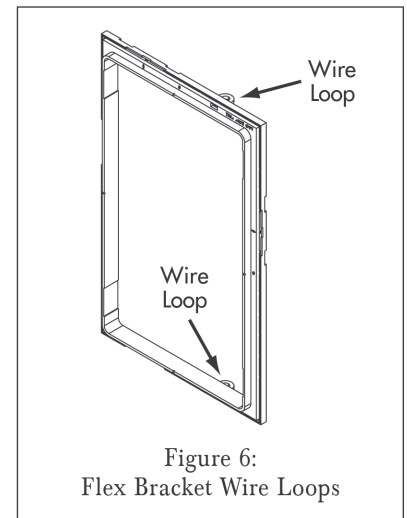


Figure 6:
Flex Bracket Wire Loops

Sonance Flex Bracket Installation Instructions



Technical Assistance and Service

If you have any questions about the operation or installation of this product, please call our Technical Assistance Department on any business day at (800) 582-0772 or (949) 492-7777; from 7 a.m. to 5 p.m., PST.

If your Sonance product should need repair or service, contact your Sonance Authorized Dealer for help, or use the following procedure:

1. Prior to calling, note the product's model number, serial number, purchase date, and the name and address of the dealer where you purchased the product.
2. Contact our Technical Assistance Department at the above number(s) and describe the problem the unit is experiencing. If applicable, they will issue a Return Authorization Number.

IMPORTANT: YOU MUST HAVE PRIOR AUTHORIZATION TO RETURN YOUR PRODUCT TO SONANCE!

3. If you're directed to return the unit to Sonance for repair, pack the unit in its original shipping carton. If needed, you can obtain replacement packaging from us for a small charge. Note: it is best if you place the box into an additional outer "overcarton" before shipment to minimize the chance of theft in shipment. Please include a copy of the original bill of sale inside the package.
4. Contact a package delivery company such as United Parcel Service or Federal Express to arrange prepaid (not collect) shipping. Do not use the U.S. Postal Service.

IMPORTANT: Freight collect shipments will be refused.

5. Write the Return Authorization Number on the outside of the shipping carton.
6. Ship the packaged unit to:

*Quality Assurance Department
Sonance
212 Avenida Fabricante
San Clemente, CA 92672-7531*

LIMITED FIVE (5) YEAR WARRANTY

Sonance warrants to the first end-user purchaser that this Sonance-brand product ("Product"), when purchased from an authorized Sonance Dealer/Distributor, will be free from defective workmanship and materials for the period stated below. Sonance will at its option and expense during the warranty period, either repair the defect or replace the Product with a new or remanufactured Product or a reasonable equivalent.

EXCLUSIONS

TO THE EXTENT PERMITTED BY LAW, THE WARRANTY SET FORTH ABOVE IS IN LIEU OF, AND EXCLUSIVE OF, ALL OTHER WARRANTIES, EXPRESS OR IMPLIED, AND IS THE SOLE AND EXCLUSIVE WARRANTY PROVIDED BY SONANCE. ALL OTHER EXPRESS AND IMPLIED WARRANTIES, INCLUDING THE IMPLIED WARRANTIES OF MERCHANTABILITY, IMPLIED WARRANTY OF FITNESS FOR USE, AND IMPLIED WARRANTY OF FITNESS FOR A PARTICULAR PURPOSE ARE SPECIFICALLY EXCLUDED. No one is authorized to make or modify any warranties on behalf of Sonance.

IN ANY EVENT, SONANCE SHALL NOT BE LIABLE FOR CONSEQUENTIAL, INCIDENTAL, ECONOMIC, PROPERTY, BODILY INJURY, OR PERSONAL INJURY DAMAGES ARISING FROM THE PRODUCT, ANY BREACH OF THIS WARRANTY OR OTHERWISE.

The warranty stated above is the sole and exclusive remedy and Sonance's performance shall constitute full and final satisfaction of all obligations, liabilities and claims with respect to the product. IN ANY EVENT, SONANCE SHALL NOT BE LIABLE FOR CONSEQUENTIAL, INCIDENTAL, ECONOMIC, PROPERTY, BODILY INJURY, OR PERSONAL INJURY DAMAGES ARISING FROM THE PRODUCT, ANY BREACH OF THIS WARRANTY OR OTHERWISE.

This warranty statement gives you specific legal rights, and you may have other rights which vary from state to state. Some states do not allow the exclusion of implied warranties or limitations of remedies, so the above exclusions and limitations may not apply. If your state does not allow disclaimer of such implied warranties, the duration of such implied warranties is limited to period of Sonance's express warranty.

Your Product Model and Description: **Sonance Flex Bracket**

Warranty Period for this Product: Five (5) years from the date on the original sales receipt or invoice or other satisfactory proof of purchase.

Additional Limitations and Exclusions from Warranty Coverage: The warranty described above is non-transferable, applies only to the initial installation of the Product, does not include installation of any repaired or replaced Product, does not include damage to allied or associated equipment which may result for any reason from use with this Product, and does not include labor or parts caused by accident, disaster, negligence, improper installation, misuse (e.g. overdriving the amplifier or speaker, excessive heat or cold or humidity, outdoor installation), or from service or repair which has not been authorized by Sonance.

Obtaining Authorized Service: To qualify for the warranty, you must contact your authorized Sonance Dealer/Installer or call Sonance Customer Service at (800) 582-0772 within the warranty period, must obtain a return merchandise number (RMA), and must deliver the Product to Sonance shipping prepaid during the warranty period, together with the original sales receipt, or invoice or other satisfactory proof of purchase.



©2013 Sonance. All rights reserved.

Sonance, Visual Performance and Roto-Lock are registered trademarks of Dana Innovations.

Due to continuous product improvement, all features and specifications are subject to change without notice.

For the latest Sonance product specification information visit our website: www.sonance.com

SONANCE • 212 Avenida Fabricante • San Clemente, CA 92672-7531 USA
(800) 582-7777 or (949) 492-7777 • FAX: (949) 361-5151 • Technical Support: (800) 582-0772

www.sonance.com