



FIRE-RATED BACKCANS: DEEP (ABOVE), SHALLOW (BELOW)

Sonance® Speaker Accessories

Fire-Rated (Listed) Deep and Shallow Speaker Backcans

Sonance fire-rated backcans will provide one-hour fire resistance when installed with an appropriate Sonance Flex bracket or Sonance Architectural Series® mounting platform and speaker or metal coverplate (all available separately). Sonance fire-rated speaker backcans are available in deep ($5\frac{31}{32}''$ — 152mm) and shallow ($3\frac{15}{32}''$ — 88mm) versions, and can be used with all Sonance in-wall and in-ceiling speaker models *EXCEPT FOR THE FOLLOWING MODELS*:

- All Sonance Virtuoso® in-wall (rectangular) speakers
- All Sonance Ellipse® speakers
- Sonance Cinema® Series LCR1, LCR2, SUR1, and SUR2
- Sonance Cinema Ultra II LCR, SUR, Cinema SUB and Cinema TWO SUB
- Sonance Silhouette® I and II

All Sonance fire-rated speaker backcans include ceramic fiber insulation and two Snap2it wire clamps.

Features:

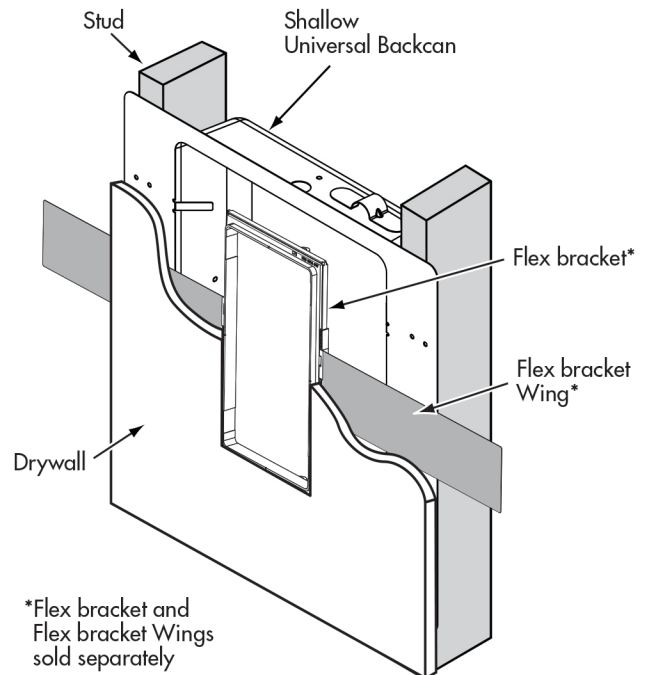
- **Two available versions: deep ($5\frac{31}{32}''$ — 152mm) and shallow ($3\frac{15}{32}''$ — 88mm).**
- **Can be used with most Sonance in-wall and in-ceiling speaker models.**
- **Approved for installation in one-hour fire-rated floor/ceiling assemblies when installed with appropriate Sonance Flex bracket and Sonance speaker or metal coverplate (all available separately).**
- **Includes ceramic fiber insulation blanket and Snap2it wire clamps.**

SONANCE
991 Calle Amanecer
San Clemente, CA 92673 USA

(949) 492-7777
FAX: (949) 361-5151
Technical Support: (949) 492-7777

www.sonance.com

TYPICAL INSTALLATION (CERAMIC FIBER INSULATION NOT SHOWN)



©2009 Sonance. All rights reserved. Sonance, Sonance Architectural Series, Sonance Virtuoso, Sonance Ellipse, Sonance Cinema, and Sonance Silhouette are registered trademarks of Dana Innovations.

Due to continuous product improvement, all features and specifications are subject to change without notice. For the latest Sonance product specification information visit our website:

www.sonance.com

06.29.18