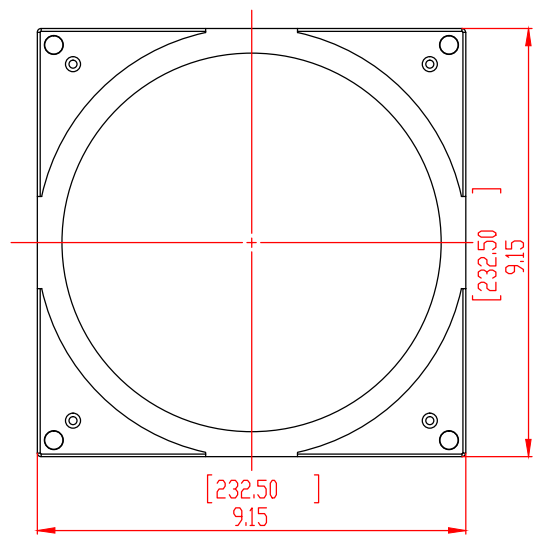
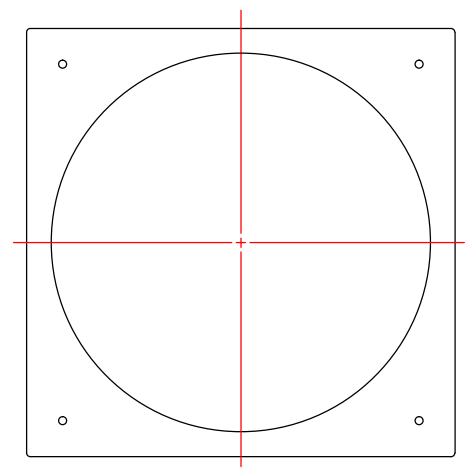


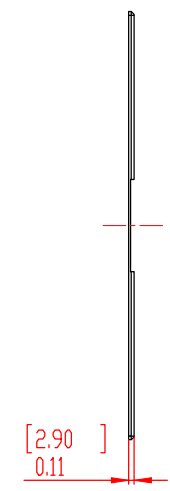
FRONT



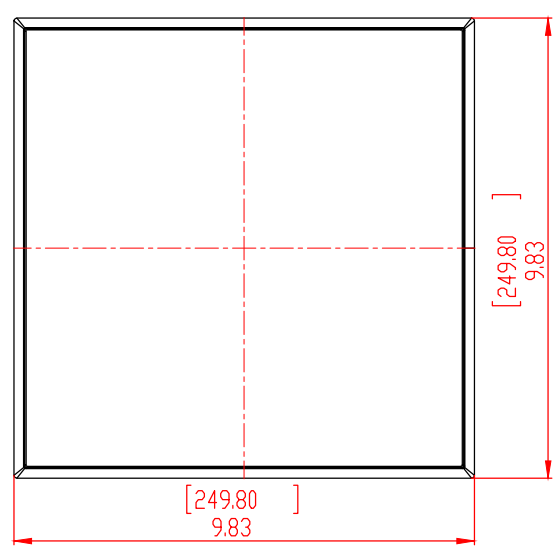
BACK



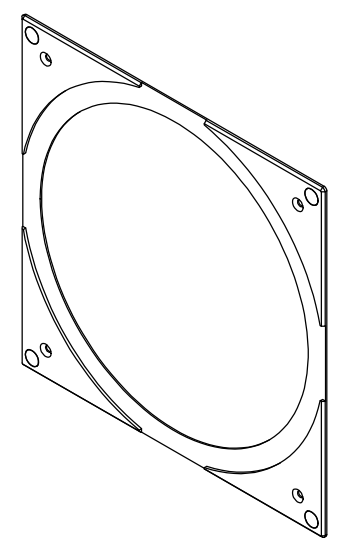
HEIGHT



GRILLE



ISOMETRIC



|  |  |                              |           |
|--|--|------------------------------|-----------|
| <p><b>SONANCE</b><br/>         212 Avenida Fabricante, San Clemente, CA. 92630<br/>         800 582-7777 949 492-7777 FAX 949 361-5579<br/> <a href="http://www.sonance.com">www.sonance.com</a></p> |  | VP EXTREME 6" Square Adaptor |           |
|  |  | SCALE: 1:1                   | DRAWN BY: |
| SHEET: 01  |  | RELEASED ON:                 |           |