

SONANCE

PATIO SERIES OUTDOOR AUDIO SYSTEM

4 SATELLITES | 4 GROUND STAKES | 1 SUBWOOFER

OPTIONAL: 1 2-100 AMPLIFIER



Patio Series 4.1 System w/2-100 Amplifier
SKU 93553

Patio Series 4.1 System (no amp)
SKU 93429

AESTHETICS

- Non-corroding, high heat ABS sealed enclosure

PERFORMANCE

- 8 Ohms impedance matched system
- 8" dual voice coil subwoofer
- Perfectly even coverage for comfortable listening in areas up to 1,000 sq. ft. (~100m²) (depending on property layout)

INSTALLATION

- Includes Sonance 9" ground stakes
- Compatible with Sonance 19" ground stakes
- Complete 4.1 System configuration on a single two-channel amplifier
- Expandable for up to 8.2 configuration

SONANCE PATIO SERIES

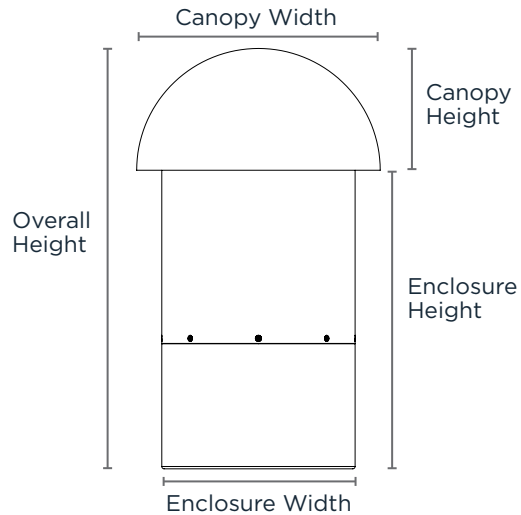
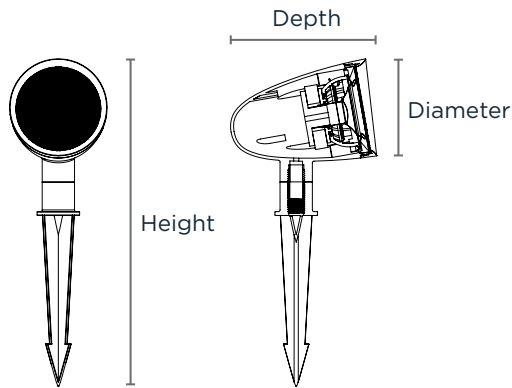
DIMENSIONS

PATIO SAT

Diameter:	4.50" (115mm)
Height:	15.17" (385mm)
Depth:	7.20" (184mm)

PATIO SUB

Canopy Width:	12.40" (315mm)
Enclosure Width:	9.84" (250mm)
Canopy Height:	6.20" (157.5mm)
Enclosure Height:	15.20" (386.2mm)
Overall Height:	21.41" (543.7mm)



SPECIFICATIONS

Driver:

Frequency Response:
Crossover Frequency:
Impedance:
System Impedance:
Power Handling:
Sensitivity:
Enclosure Material:

PATIO SATELLITE SPEAKER

3.5" (98mm) Anodized aluminum cone & Santoprene™ surround
40Hz - 20kHz +/-3dB (System)
125Hz
16 Ohms nominal
8 Ohms nominal
50 watts minimum; 150 watts maximum
85dB 2.83V / 1 meter
High-heat ABS sealed enclosure, Non-corroding

PATIO SUBWOOFER

8" (203mm) dual voice coil, polypropylene & Santoprene surround
40Hz - 20kHz +/-3dB (System)
100Hz
8 Ohms nominal per voice coil
8 Ohms nominal
150 Watts
89dB Sensitivity @ 2.83V / 1 meter
High-heat ABS sealed enclosure, Non-corroding
-
21.4" x 12.4" (544mm x 315mm)
68 lbs (31kg) System

Mounting Threads:

Dimensions (L x Dia.):
Shipping Weight:

2-100 AMPLIFIER

Power Output (RMS):
Dimensions w/ feet (WxHxD):
Rack Space Requirement:

100 watts (2-channels driven at 8 Ohms)
8.625" x 2.125" x 16.8125"
(219mm x 54mm x 427mm)
1U-Half Rack width

LIMITED THREE (3) YEAR WARRANTY

Sonance warrants to the first end-user purchaser that this Sonance-brand product ("Product"), when purchased from an authorized Sonance Dealer/Distributor, will be free from defective workmanship and materials for the period stated above. Sonance will, at its option and expense, either repair the defect or replace the Product with a new or remanufactured Product or a reasonable equivalent. Please visit our website and owner's e-Manual for complete warranty and exclusion information.

SONOS AMPLIFIER LIMITED ONE (1) YEAR WARRANTY

Please visit: sonos.com/en-us/legal/terms#warranty for complete warranty information.

©2020 Sonance. All rights reserved. Due to continuous product improvement, all features and specifications are subject to change without notice. For the latest Sonance product specification information visit our website: sonance.com