

INSTALLATION MANUAL: ARCHITECTURAL SERIES SOLID SURFACE MOUNTING PLATFORM DISCRETE OPENING SYSTEM, MEDIUM SPEAKER, BANDPASS SUBWOOFER (BPS6 & BPS8)



NOTE: The process of mounting the platform, prewiring, and installing drywall around the platform are the same for drywall, wood, stone, or any other solid surface installation.

(1) Preparing the Platform for Install

Storing the mounting platform

It's recommended that all materials are kept in their original packaging until just before installation. Store them off the ground in a secure, dry area until they are needed. Keep all materials dry and above freezing. At the time of installation and finishing, all materials must be at a temperature of 55°F (12.8°C) or above.

Cutting the panel bracket

Mounting platforms are designed so that the opening can be positioned anywhere within standard 12" O.C. to 24" O.C. joist spacing. However, many installations will require the panel bracket to be cut to size. The panel is made of 100% pressed gypsum board - it can be cut using the score and snap method or using a circular saw with a fine tooth blade (or table saw). To cut the panel using the score and snap method, first score the panel from the frontside - this may take multiple passes. Next, flip the panel over - face side down - and snap the panel towards the cut line.

Retrofit Enclosures

If using the optional retrofit enclosure for the AS38RS or AS68RS speakers, be sure to attach the enclosure PRIOR to attaching the panel bracket to the joists (see photo 1). You will need to remove and discard the strain relief wire tie in order to attach the enclosure.

PLEASE NOTE: the retrofit enclosure must be added before installing the panel bracket to the ceiling - RETROFIT ENCLOSURES **CANNOT** BE ADDED AFTER THE DRYWALL WORK IS COMPLETE.



(2) Installing the Mounting Platform



Step 1- Fasten

Using three drywall screws per joist, fasten the mounting platform to the framing.

NOTE: if using the platform in conjunction with an AS BPS woofer, be sure to locate the opening of the platform within 12" of the woofer location (see AS BPS woofer instructions)



Step 2 - Support or Trim

Place at least one of the provided patch clips on each of the sides with unsupported drywall. Attach the patch clips to the panel bracket using at least one 1-1/4" drywall screw. Trim off any unsupported drywall that does not have a patch clip attached.

(3) Prewire

If prewiring for AS speaker w/ retrofit enclosure:

Prewire to this location as normal, but be sure to make wire connections on the back of the retrofit enclosure prior to continuing on to the next step. It is highly recommended to attach a strain-relief to the speaker wire to ensure that it stays connected to the terminals during the construction process. Once the drywall work is complete, there is no easy access to the speaker terminals on the back of the retrofit enclosure.



If prewiring for AS speaker:

Prewire to this location as normal. The wire tie on the back of the mounting platform can be used as a strain-relief

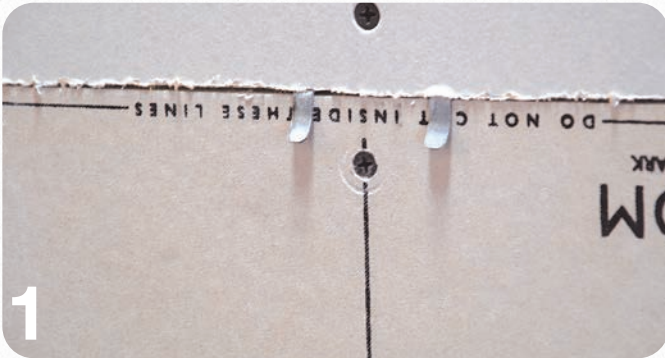


If prewiring for ASBPS woofer:

Prewire to the woofer location - use provided strain-relief (see photo 1) and be sure to connect the port tube tether to the wire tie on the back of the mounting platform before proceeding to the next step. (see photo 2 & ASBPS subwoofer instructions)



(4) Installing Drywall around the Platform



Step 1- Fit & Screw

Have the drywall contractor fit & install the drywall around the AS mounting platform being sure to fasten at least one 1-1/4" drywall screw to each patch clip location.



Step 2- Snap

After all drywall has been hung and patch clips are fastened, snap off the patch clip tabs as shown above using a pair of pliers.

The next section will detail the next portion of the install process for **solid surface applications only**

(1) Preparing the drywall



Mud & Tape

Many local codes specify that all drywall joints must be sealed and taped even if they are going to be covered with wood or stone. For this reason, we recommend that the area around the perimeter of the Architectural Series solid surface mounting platform be filled with quick-setting mud and then have tape pressed into the seams. NOTE: it's **not** necessary to apply the mud around the box enclosure area on a solid surface platform.

(2) Removing the mounting ring



Remove

In order to complete a solid surface install, the mounting ring will need to be removed from the ceiling and fastened to the backside of the solid surface material. The mounting ring can stay fastened to the mounting platform panel bracket until it is time for the finish material to be cut and installed. When it is time to cut the hole for the speaker, first measure to the center point of the speaker location, then remove the two screws that hold the mounting ring to the panel bracket and remove it from the ceiling.

(3) Cutting the grille opening

Depending on what type of material the speaker is being mounted into, there are a variety of different methods that can be used to cut the grille opening. For harder, dense materials, such as stone or tile, the use of a water jet machine is **required**. For softer materials, such as wood, a CNC table or a router template accessory (sold by Sonance) can be used. Whichever method is used, the opening must be cut **very precise**. Unlike traditional speaker grilles, Sonance Architectural Series grilles do NOT cover the opening that is cut into the material - they install flush to the material surface, therefore leaving zero tolerance for uneven, or unclean cuts in the opening.

(this section is continued on the next page)

(3) Cutting the grille opening (cont.)

Below are the instructions for cutting the grille opening utilizing either of the two methods: 1) water jet/CNC, or 2) router template.

Water Jet/ CNC Cut

Step 1- Locate & Send

Most stone suppliers will have access to a water jet machine. Locate a water jet machine at a local stone supplier, or contact the stone supplier for the job, and send the Sonance AS water jet files. The water jet files are a .DXF file that contains the tool path needed for a precise and consistent grille opening. These files can be found at sonance.com/in-wall-in-ceiling/architectural-series.

Step 2- Cut

Using this application the cutting portion of the process will be done offsite by another tradesperson.

Router Template Cut

Step 1- Mark

With the material laying face up on a sturdy work surface, mark the center point of the grille opening on the material.

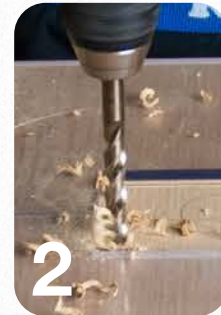
Step 2- Setup

The following tools will be needed in order to route the opening:

1. Two Routers
2. Router Bushings: 7/16" and 5/16"
3. Router Bits: 1/4" (down cut/spiral) and 1/8"
4. Jig Saw with appropriate blade
5. 3/8" drill bit & drill
6. Appropriate clamps to secure wood and template.

Center the router bits accordingly in these combinations: 5/16" bushing with 1/8" bit, and 7/16" bushing with 1/4" bit. Make sure the depth of the bit is set to clear the material being cut.

(bushing & bit setup shown to right)



Step 3- Cut

Place the router template on the surface of the material and center it on the center point. Secure it to the material with clamps. Next, using the 1/8" router bit, route around the opening in the router template - picture 1 above. Once the first router pass is complete, using the 3/8" drill bit, drill two holes in opposite corners of the opening about 1/4" inside of the template opening - picture 2. Then, using the jig saw, cut from one drilled hole to the other and then again back to the first hole removing the extra material on the inside of the routed opening - picture 3. Next, use the 1/4" router setup to route a final pass around the fascia opening - picture 4. Before moving router template, check that the grille fits in the opening.

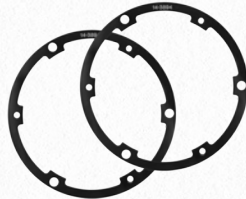
(4) Selecting shims for Discreet Opening System

To allow the Speaker Grille to fit completely flush with the surrounding Finish Material, the Sonance Architectural Series Mounting Platform kit for solid surfaces, is supplied with a quantity of two (2) Mounting Ring Shim and a quantity of two (2) Speaker Shim (see photos below). NOTE: Both the Mounting Ring Shim and Speaker Shim are tied to the Mounting Ring for shipping. In order to determine which shims, if any, should be used for the installation, determine the thickness of the Finish Material and locate the corresponding Shim configuration in the table below.

Discreet Opening
Mounting Ring Shim (1/8")



Discreet Opening
Speaker Shim



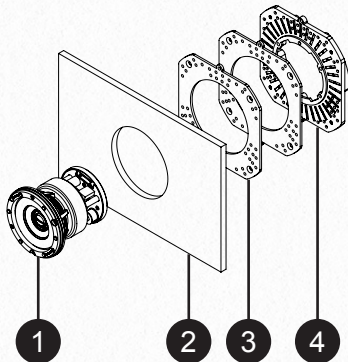
NOTE: May be needed at a later date. Do not discard.

1.1 Legend

- 1 - Speaker AS38RS or BPC3
- 2 - Finish Material
- 3 - Mounting Ring Shim (1/8")
- 4 - Mounting Ring
- 5 - Speaker Shim

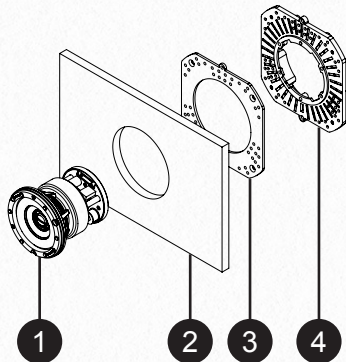
1.1 Solid Surface Shim Selection Chart - Discreet Speaker

3/8" Finish Material (10mm)



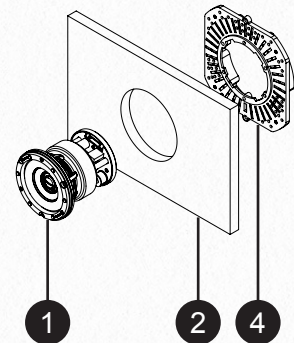
Qty. 2 - Mounting Ring Shim

1/2" Finish Material (13mm)



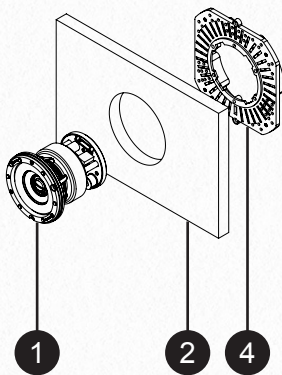
Qty. 1 - Mounting Ring Shim

5/8" Finish Material (16mm)



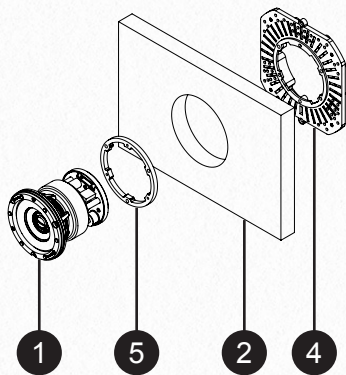
No Shim Needed

3/4" Finish Material (19mm)



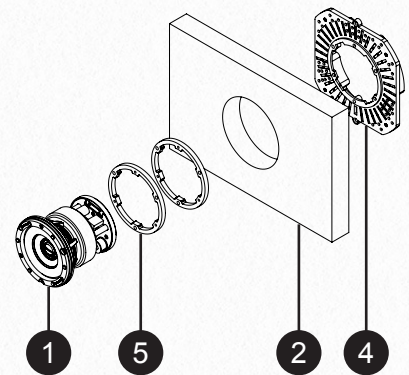
No Shim Needed

1" Finish Material (25mm)



Qty. 1 - Speaker Shim

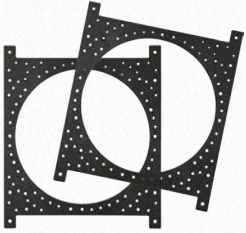
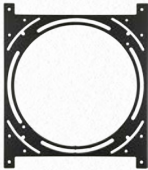
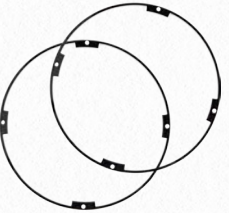
1-1/4" Finish Material (32mm)



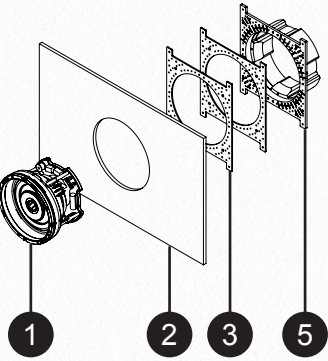
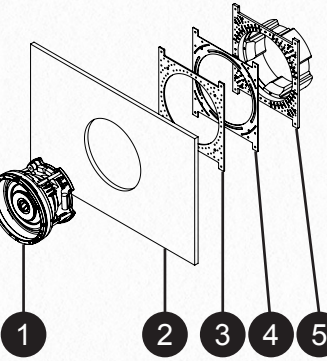
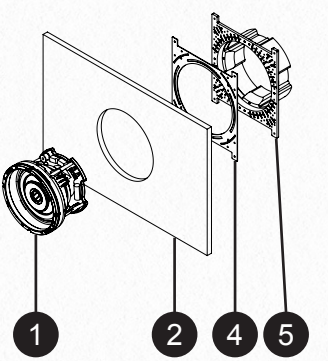
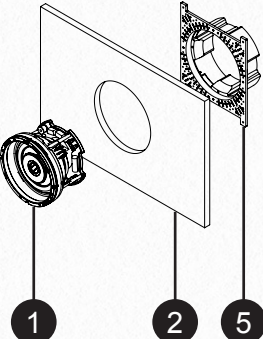
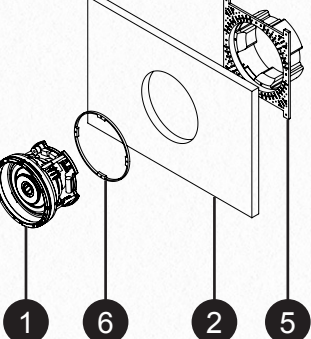
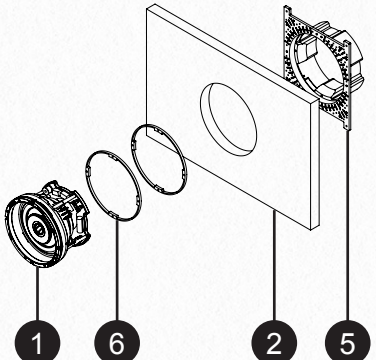
Qty. 2 - Speaker Shim

(4) Selecting shims for Medium Opening System

To allow the Speaker Grille to fit completely flush with the surrounding Finish Material, the Sonance Architectural Series Mounting Platform kit for solid surfaces, is supplied with a quantity of two (2) Mounting Ring Shim (1/8"), a quantity of one (1) Mounting Ring Shim (1/16"), and a quantity of two (2) Speaker Shim (see photos below). NOTE: The Mounting Ring Shim (1/8" and 1/16") and Speaker Shim are tied to the Mounting Ring for shipping. In order to determine which shims, if any, should be used for the installation, determine the thickness of the Finish Material and locate the corresponding Shim configuration in the table below.

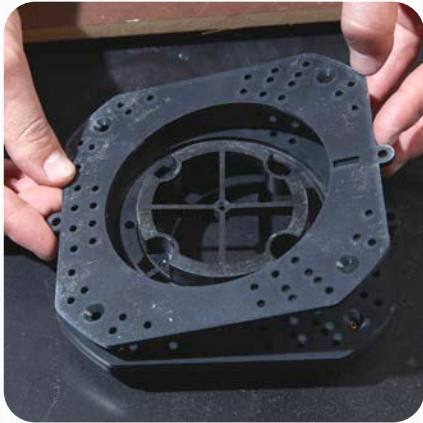
<p>Medium Opening Mounting Ring Shim (1/8")</p> 	<p>Medium Opening Mounting Ring Shim (1/16")</p> 	<p>Medium Opening Speaker Shim</p>  <p>NOTE: May be needed at a later date. Do not discard.</p>	<p>1.1 Legend</p> <ul style="list-style-type: none"> 1 - Speaker AS68RS or BPC6 2 - Finish Material 3 - Mounting Ring Shim (1/8") 4 - Mounting Ring Shim (1/16") 5 - Mounting Ring 6 - Speaker Shim
---	--	---	--

1.1 Solid Surface Shim Selection Chart - Medium Speaker

<p>3/8" Finish Material (10mm)</p>  <p>Qty. 2 - Mounting Ring Shim (1/8")</p>	<p>1/2" Finish Material (13mm)</p>  <p>Qty. 1 - Mounting Ring Shim (1/8") Qty. 1 - Mounting Ring Shim (1/16")</p>	<p>5/8" Finish Material (16mm)</p>  <p>Qty. 1 - Mounting Ring Shim (1/16")</p>
<p>3/4" Finish Material (19mm)</p>  <p>No Shim Needed</p>	<p>1" Finish Material (25mm)</p>  <p>Qty. 1 - Speaker Shim</p>	<p>1-1/4" Finish Material (32mm)</p>  <p>Qty. 2 - Speaker Shim</p>

(5) Installing shims

Once the correct number of shims are selected for the finish material, the mounting ring shim(s) can be fastened to the mounting ring before attaching it to the finish material. NOTE: Do not discard the speaker ring shims and long machine screws. If the material is 1" to 1-1/4" thick, they will need to be installed at the time of speaker installation.



Step 1 - Align

Lay the correct number of mounting ring shims on the front side of the mounting ring.

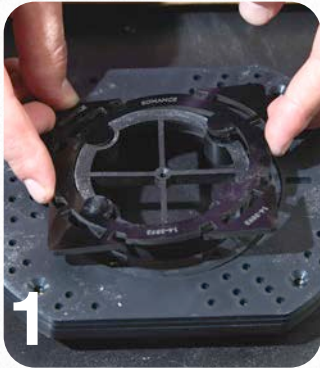


Step 2 - Attach

Attach to the mounting ring with screws provided.

(5) Attaching the Mounting Ring

To attach the mounting ring to the material you can use either or epoxy/glue or, mechanical fasteners (i.e. screws). The method that you select depends on the type of material speaker is being attached to. Below are the instructions for both methods: 1) epoxy attachment, or 2) screw attachment.



Step 1- Fit & Flush

Before attaching the mounting ring to the finish material, be sure the alignment fixture is positioned on the face of the mounting ring (photo 1). With the material positioned face down on a sturdy, flat, and clean work surface, place the mounting ring onto the backside of the material. The mounting ring should be tight within the speaker opening.

Epoxy Attachment



Step 2 - Clean & Glue

With the mounting ring separate from the material, clean with acetone both the backside of the material where the flange will rest and the flange of the mounting ring - photos 1 & 2. Next, apply thin layer of epoxy to the material surface and a generous layer to the flange. - photo 3. Then, place the mounting ring in the opening and press firmly so that the flange rests securely against the material.

Screw Attachment

Step 1- Fit & Flush

With the material positioned face down on a sturdy, flat, and clean work surface, place the mounting ring on the back side of the finish material.



Step 2 - Fasten

Select the outermost holes on each of the mounting ring's four sides and drill a pilot hole into the material. Then, using four appropriately sized screws, fasten the ring to the material.

(6) Attaching the Finish Material



Step 1 - Cut

Now that the mounting ring is attached directly to the material (i.e. stone, wood), the process of mounting the material to the wall is simple. The hole in the mounting platform should be in close proximity of the exact speaker location. If the mounting platform was mounted slightly off of the desired location, cut at the perforated locations to allow the finish material mount to the ceiling (photo 1).



Step 2 - Mount

Now the finish material can be attached to the ceiling using standard fasteners.

The installation of the Sonance Architectural Series mounting platform is now complete.