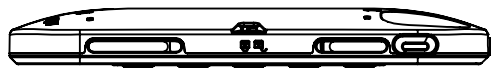


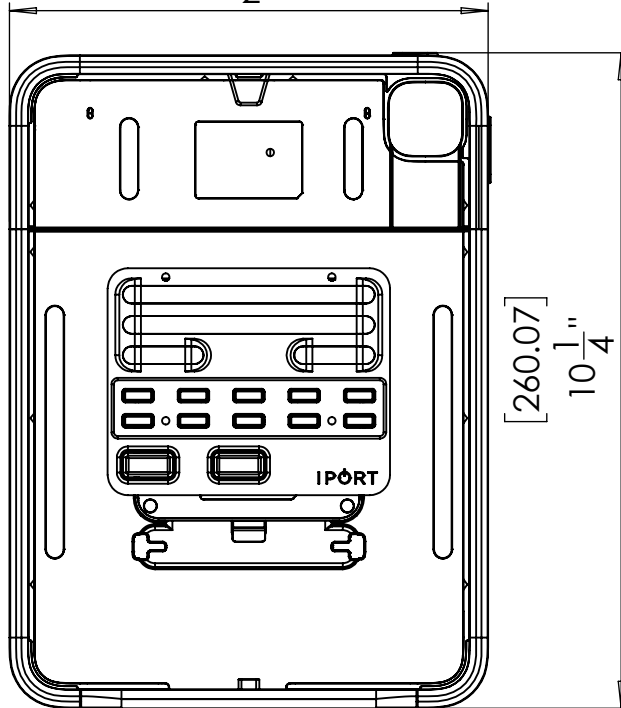
8 7 6 5 4 3 2 1

D
C
B
A

D
C
B
A

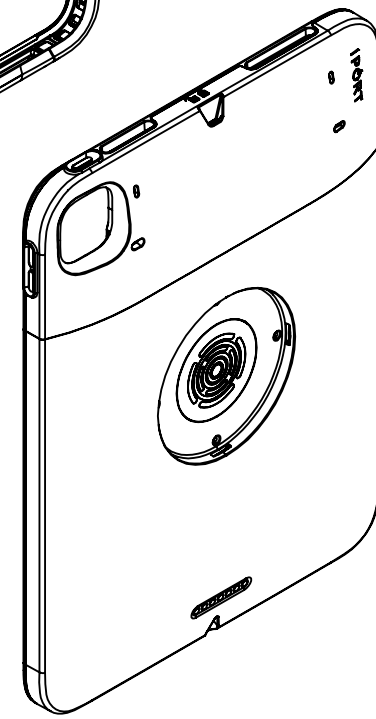
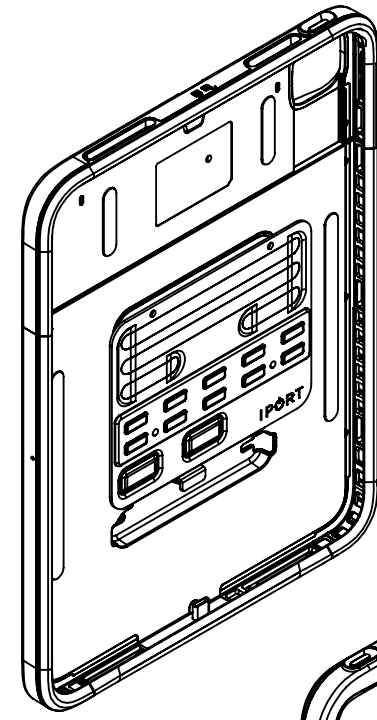
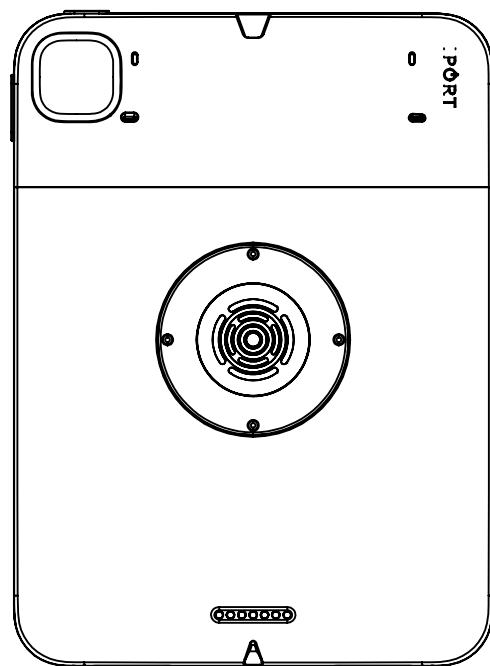
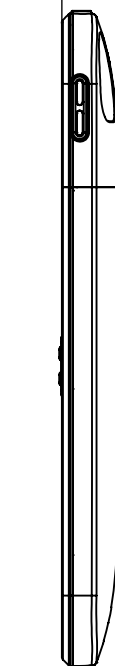


[189.97]
7 1/2"



[260.07]
10 1/4"

[22.14]
7/8"



| | | | |
|--------------------------------------|--|--------------|------|
| UNLESS OTHERWISE SPECIFIED: | | NAME | DATE |
| DIMENSIONS ARE IN INCHES [MM] | | | |
| TOLERANCES: | | | |
| FRACTIONAL ± | | | |
| ANGULAR ± | | | |
| TWO PLACE DECIMAL ± | | | |
| THREE PLACE DECIMAL ± | | | |
| INTERPRET GEOMETRIC TOLERANCING PER: | | COMMENTS: | |
| MATERIAL: | | | |
| FINISH: | | | |
| DO NOT SCALE DRAWING | | RELEASED ON: | |

DANA INNOVATIONS

| | | |
|--|----------|-----------------|
| TITLE: 72341 CONNECT PRO CASE 10.9 WH1 | | |
| SIZE B | DWG. NO. | REV A |
| SCALE: 1:3 | WT: | SHEET 1 OF 1 |

PROPRIETARY AND CONFIDENTIAL
THE INFORMATION CONTAINED IN THIS DRAWING IS THE SOLE PROPERTY OF DANA INNOVATIONS. ANY REPRODUCTION IN PART OR AS A WHOLE WITHOUT THE WRITTEN PERMISSION OF DANA INNOVATIONS IS PROHIBITED.

8 7 6 5 4 3 2 1