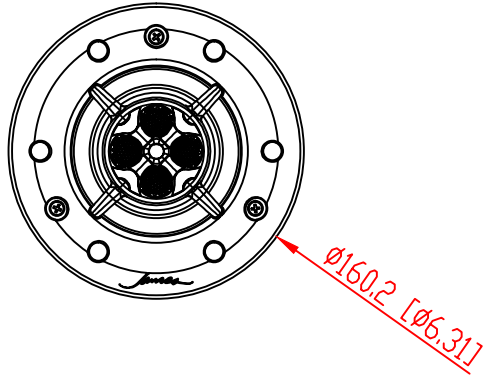
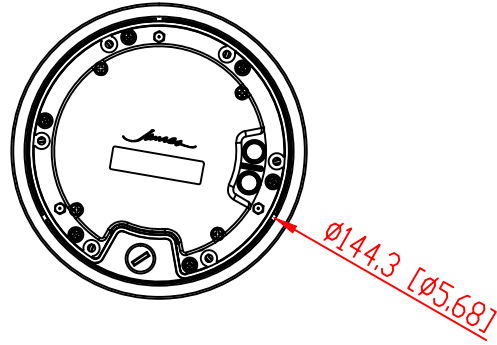


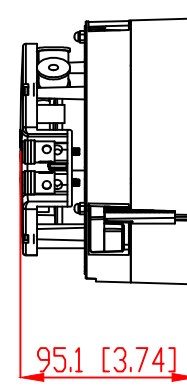
FRONT



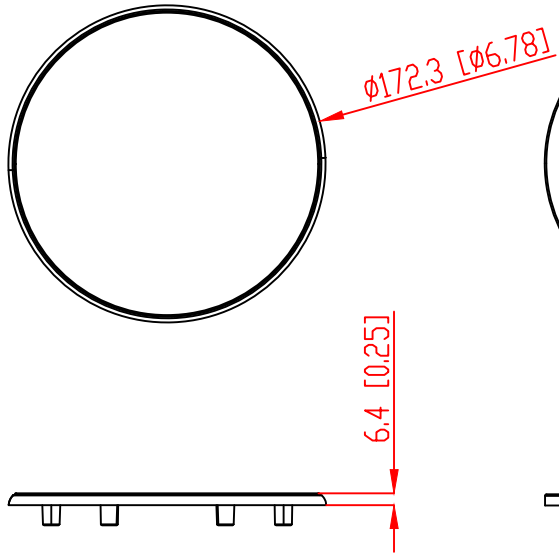
BACK / MINIMUM CUTOUT



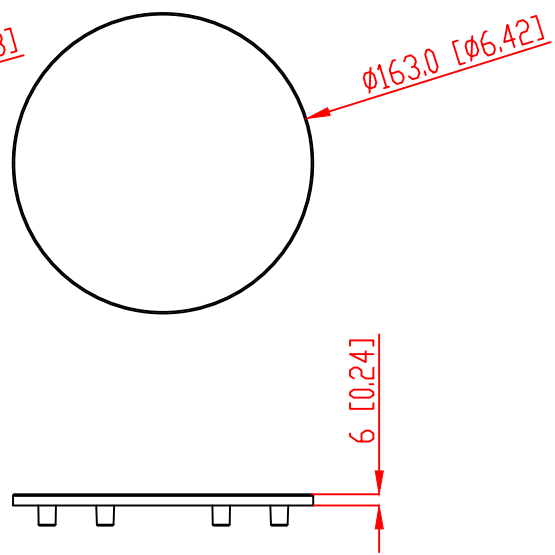
MOUNTING DEPTH



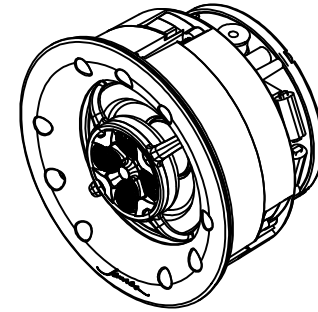
MICRO TRIM GRILLE



TRIMLESS GRILLE



ISOMETRIC



VX048R SPEAKER

SCALE: 1:1
SHEET: 0F

DRAWN BY: Roy
RELEASED DIM

REV.

2185 Park Place
Minden, Nevada 89423 USA
775-461-7500
www.jamesloudspeaker.com

