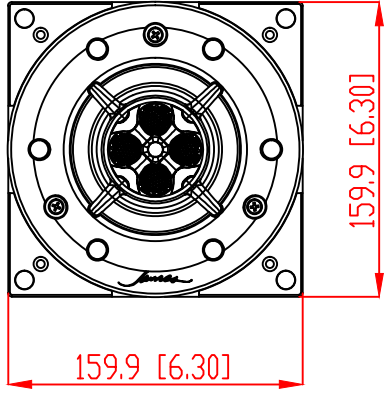
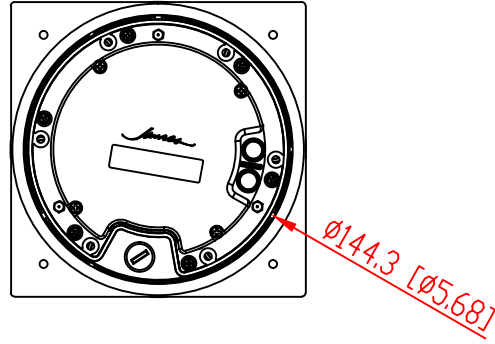


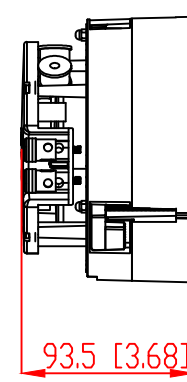
FRONT



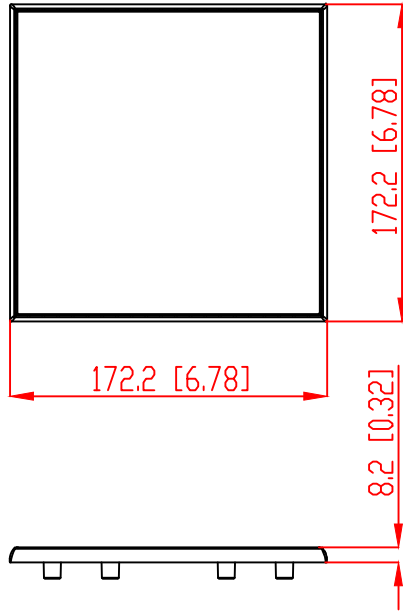
BACK / MINIMUM CUTOUT



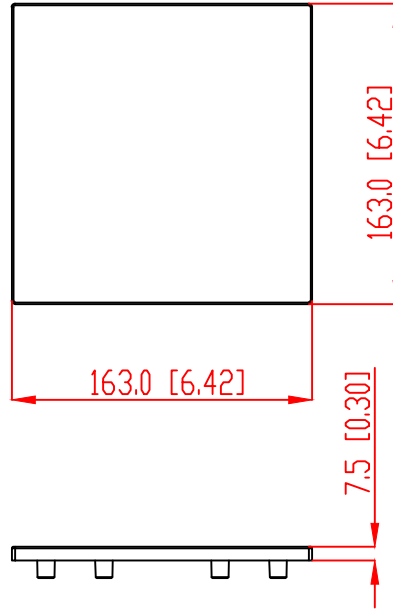
MOUNTING DEPTH



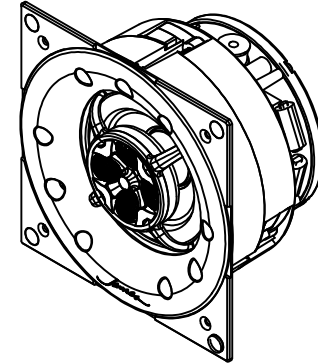
MICRO TRIM GRILLE



TRIMLESS GRILLE



ISOMETRIC



2185 Park Place  
Minden, Nevada 89423 USA  
775-461-7500  
www.jamesloudspeaker.com



VXQ48R WITH SQUARE ADAPTOR SPEAKER

SCALE: 1 : 1  
SHEET: 0F

DRAWN BY: Roy  
DRAWN - PART NUMBER

REV.