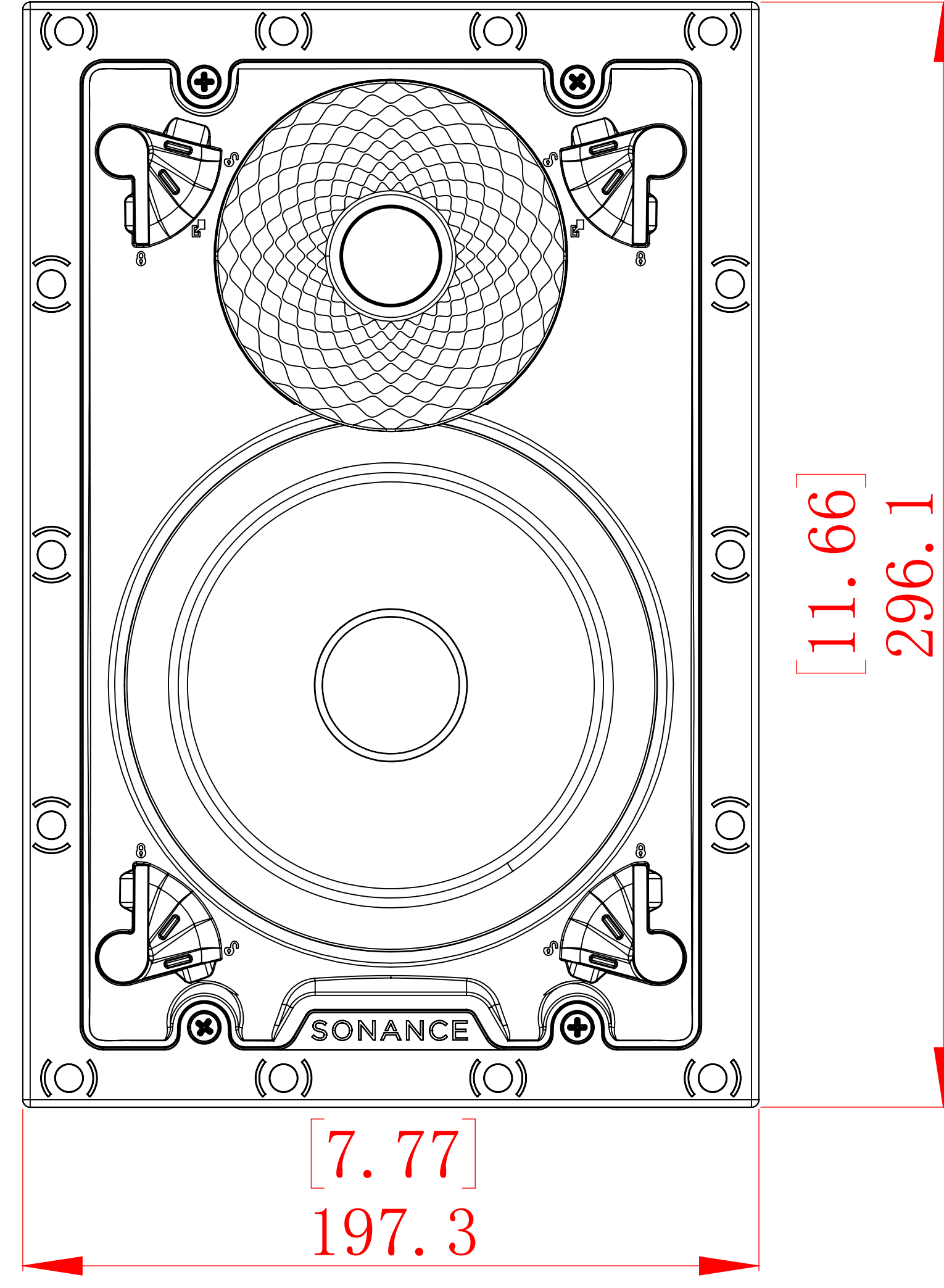
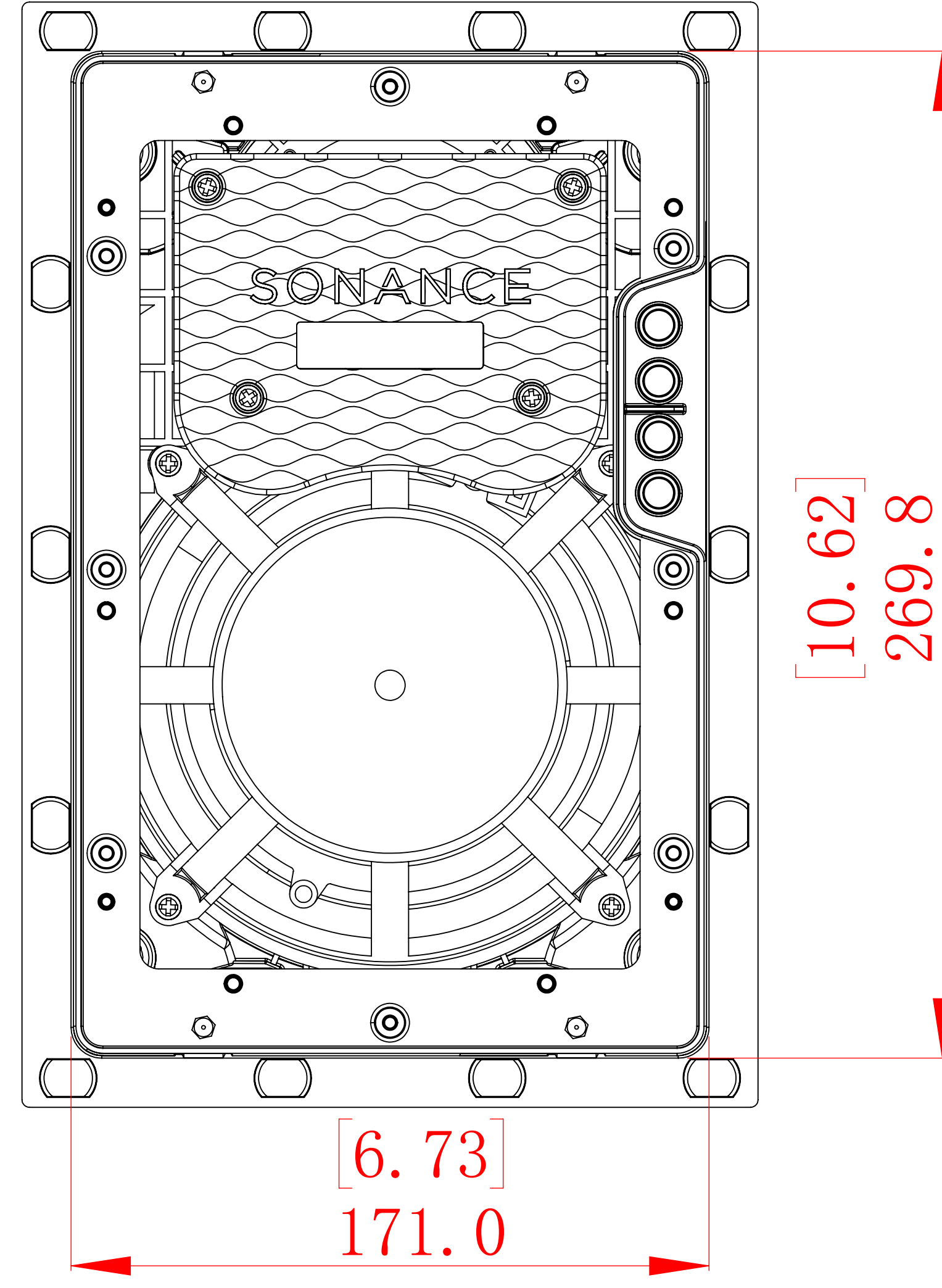


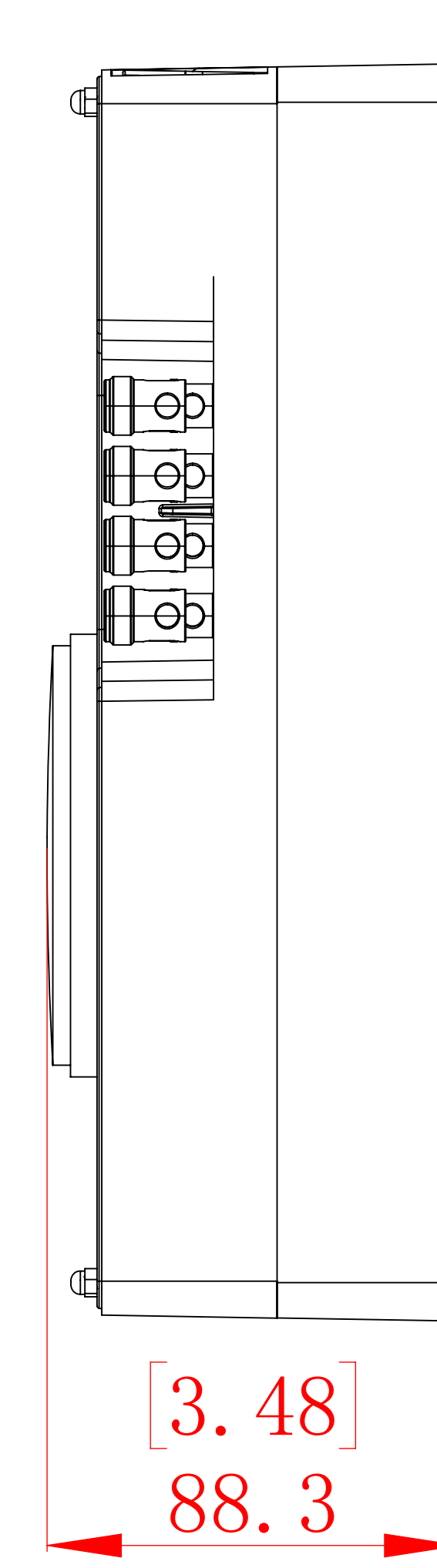
**FRONT**



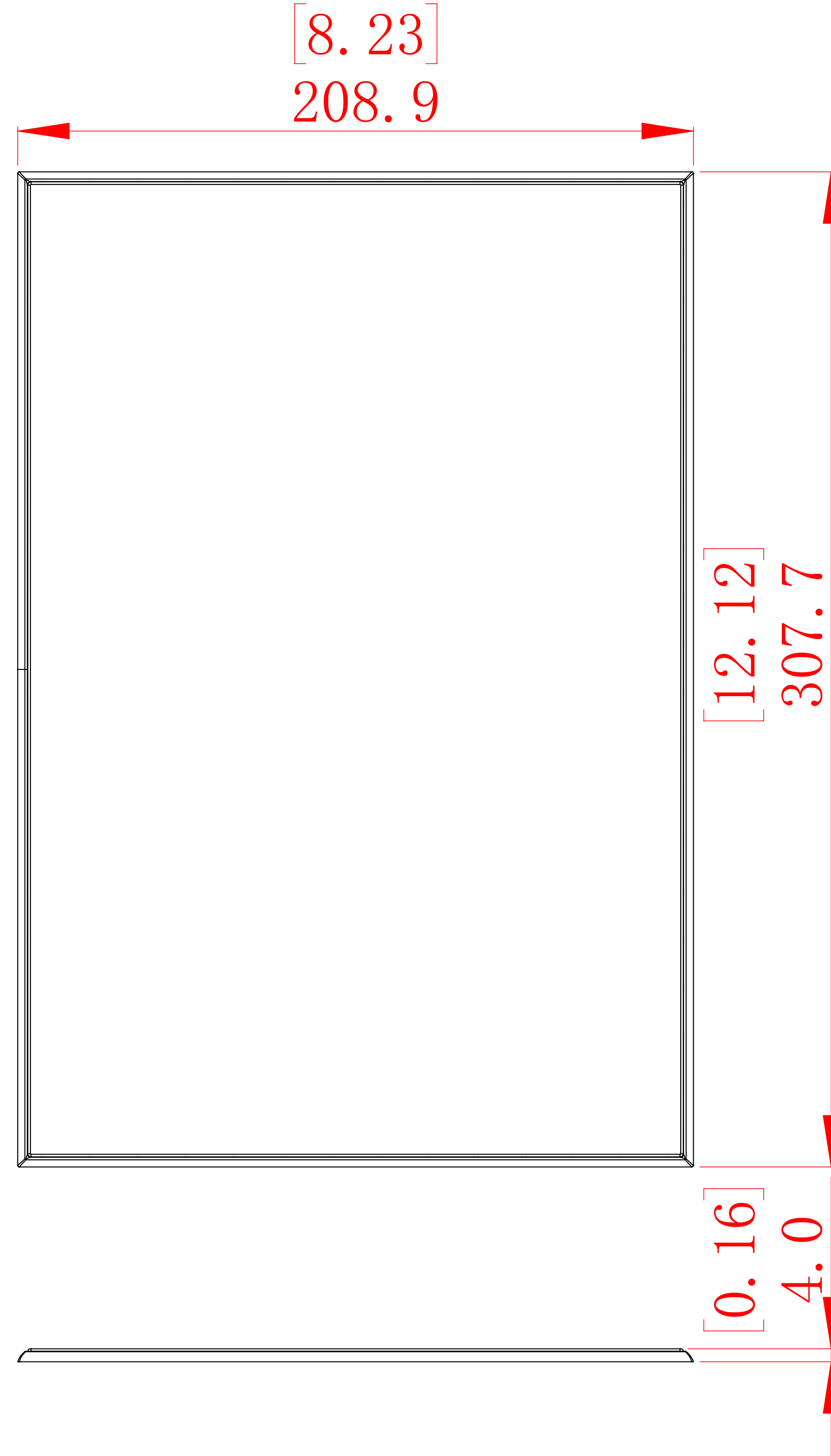
**BACK / MINIMUM CUTOUT**



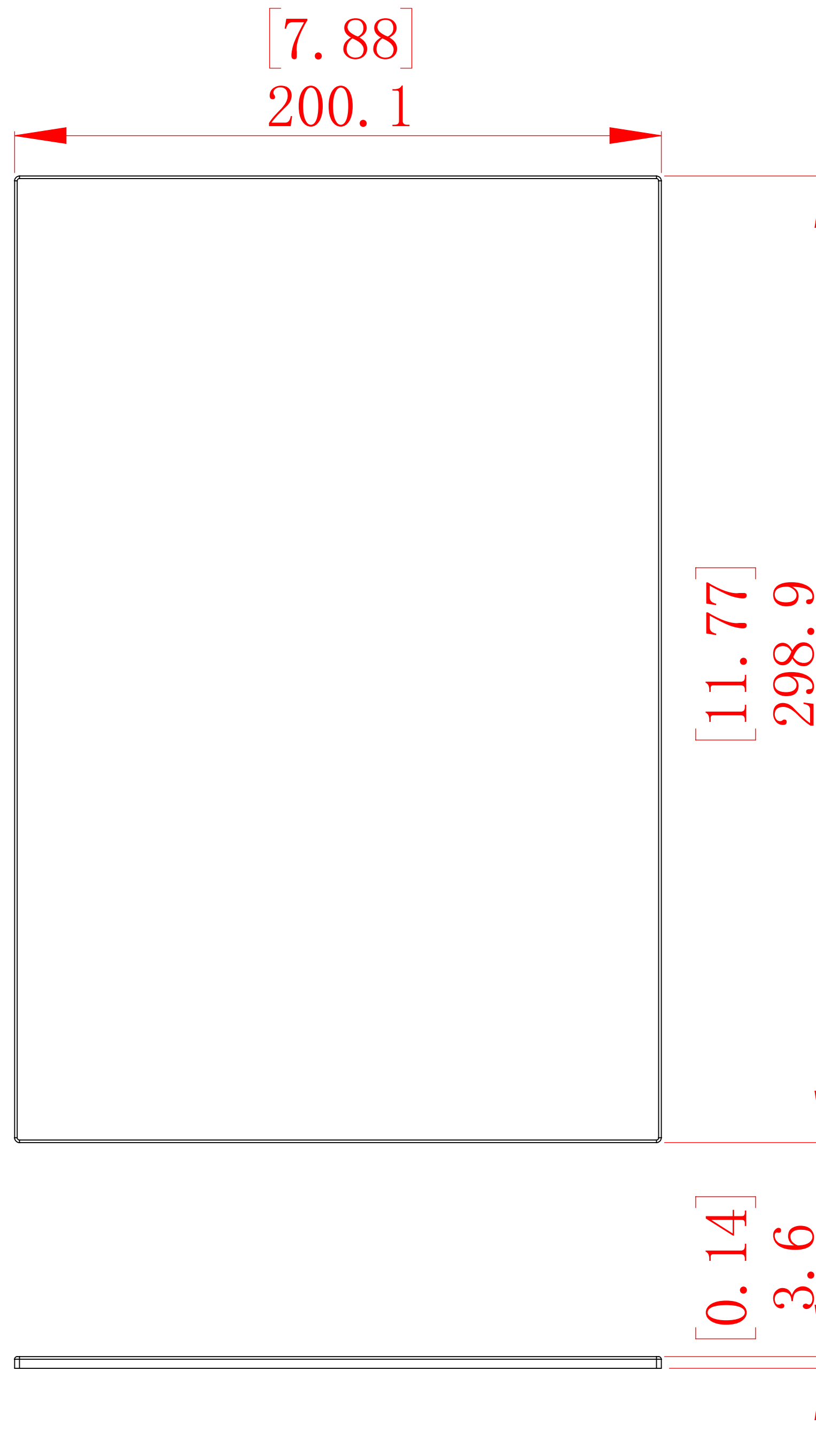
**MOUNTING DEPTH**



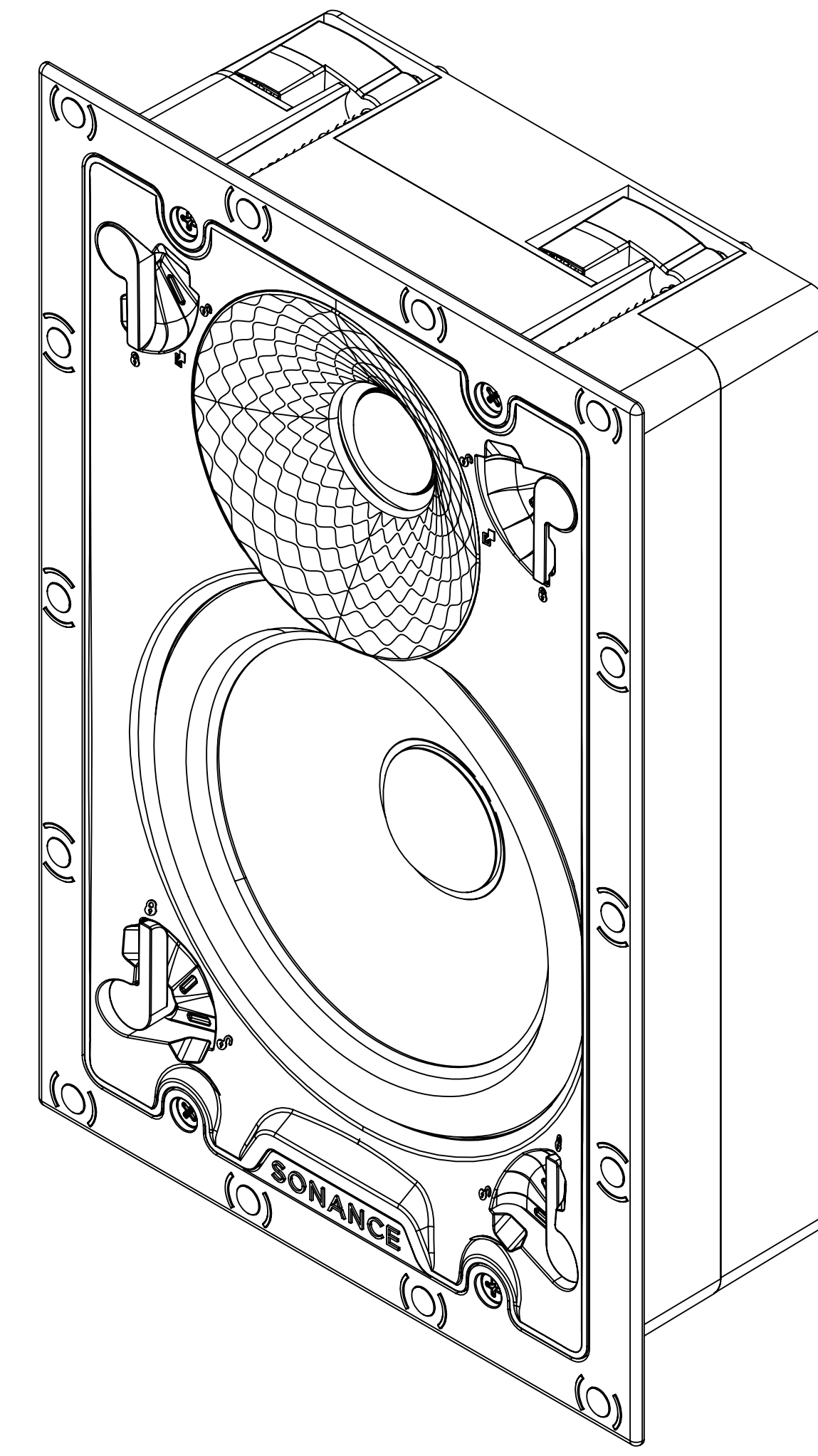
**MICRO TRIM GRILLE**



**TRIMLESS GRILLE**



**ISOMETRIC**



**SONANCE**

991 Calle Amanecer, San Clemente, CA.  
92673  
58800 2-7777 949 492-7777  
FAX 949 361-5579  
www.sonance.com

VX66 SST

SCALE: 4 : 5 DRAWN BY: Roy

SHEET: 01 OF 01 RELEASED ON:

REV.

DRWN - PART NUMBER